

LED Barn Light

Dusk-to-dawn LED Outdoor Barn Light (Photocell Included)

Model No.: SP-35W SP-50W SP-80W SP-100W SP-120W

Power: 35W 50W 80W 100W 120W



1.Features

- Universal voltage AC100-277V 50/60Hz.
- 110-120lm/W for fixture.
- Using high quality SMD2835 SMD3030 chips.
- Constant current power supply.
- High Power Factor >0.9, Low THD Driver.
- Constructed from die-cast aluminium, with a PC cover, and rated at Ip65.
- Respirator design: Balance the different pressure between the atmosphere and the shell, it is water proof also defog and avoiding the drop condensation, extend the product lifespan.
- 5 years Warranty.
- Available with Photocell.

2.Product Image

SP-35W SP-50W



Photocell Sensor



SP-80W SP-100W



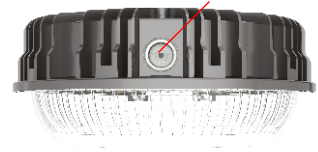
Photocell Sensor



SP-120W



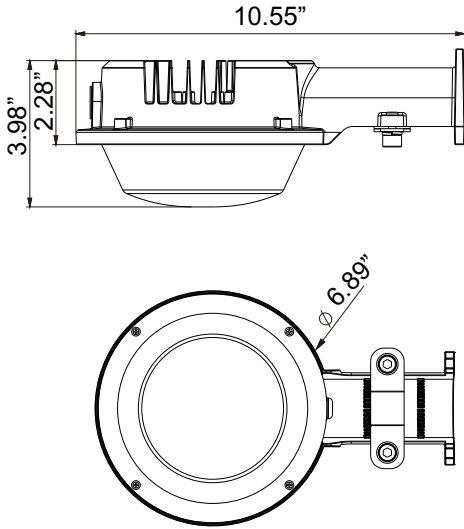
Photocell Sensor



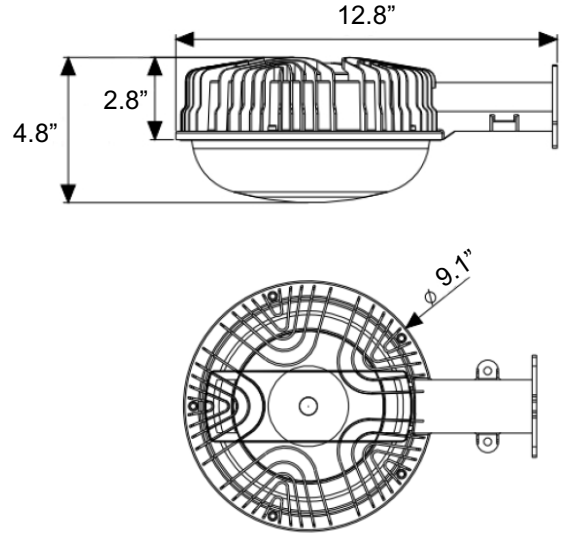
LED Barn Light

3.Drawing Unit: inch/mm

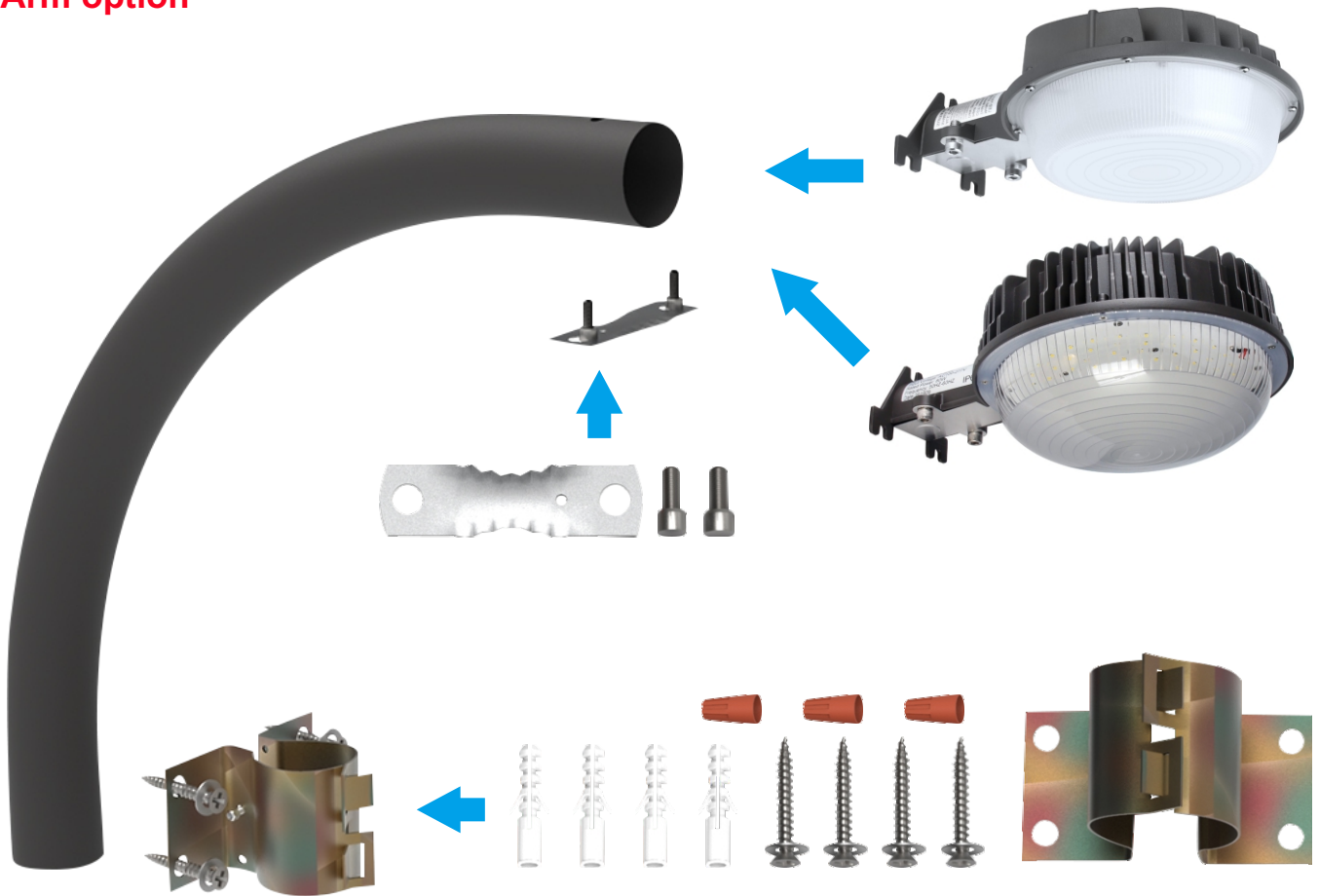
SP-35W SP-50W



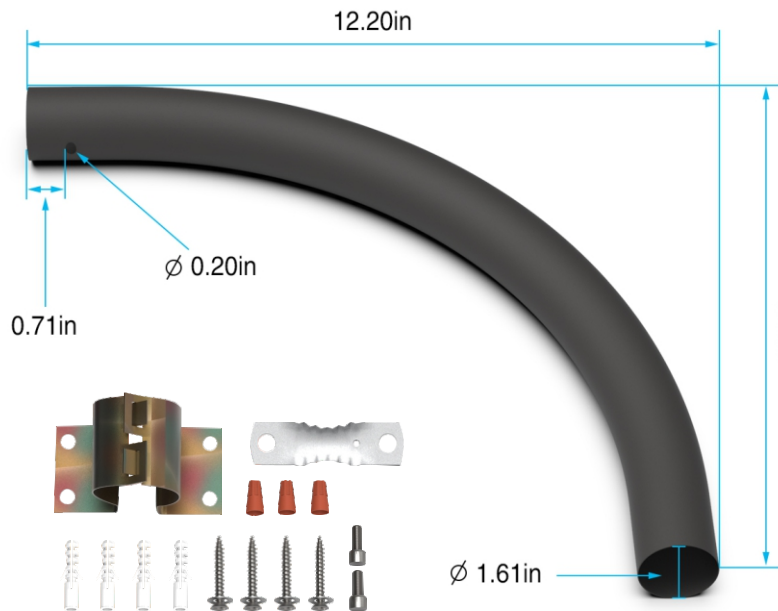
SP-80W SP-100W SP-120W



4.Arm option



LED Barn Light



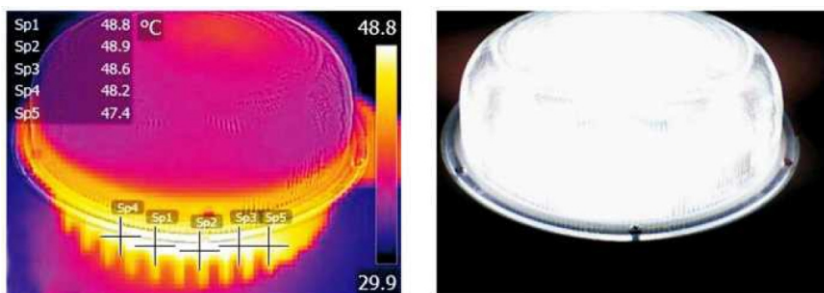
5.Application

Widely used in Shopping mall, hotel, shop, showroom, cafe, restaurant, garden, porch, etc.



6.Chip Temperature Test

Great heat dissipation performance, good for LED lifespan



7.Parameters

Item	Model	SP-35W	SP-50W
General Performance	Power	35W	50W
	Lumen Output	4550 lm	6500 lm
	Efficacy	130 lm/W	130 lm/W
	Color Temperature	3000K/4000K/5000K/5700K	3000K/4000K/5000K/5700K
	LED type	SMD 2835	SMD 2835
	CRI	Ra>80	Ra>80
Electrical	Power Factor	>0.9	>0.9
	Input Voltage	100-277VAC,50/60Hz	100-277VAC,50/60Hz
	THD	<20%	<20%
	Beam angle	120°	120°
Physical	Weight	2.2Kg	2.5Kg
	Dimension	268x175x101mm	268x175x101mm
	Housing	Die-cast aluminum	Die-cast aluminum
	Cover	PC	PC
	Mounting	Wall Mounting	Wall Mounting
	Operation Temperature	-35 °C ~55 °C	-35 °C ~55 °C
	Finish	Black	Black
	IP rated	Ip65	Ip65
Certificate	Certificate	UL, cUL, CE, RoHS	UL, cUL, DLC, CE, RoHS
	UL	E487752	E487752
	Material Usage	RoHS compliant	RoHS compliant
	Driver Class	Class II	Class II
	LED Class	Rated to 50,000 hours	Rated to 50,000 hours

LED Barn Light

(The "XX" represents Color temperature.)

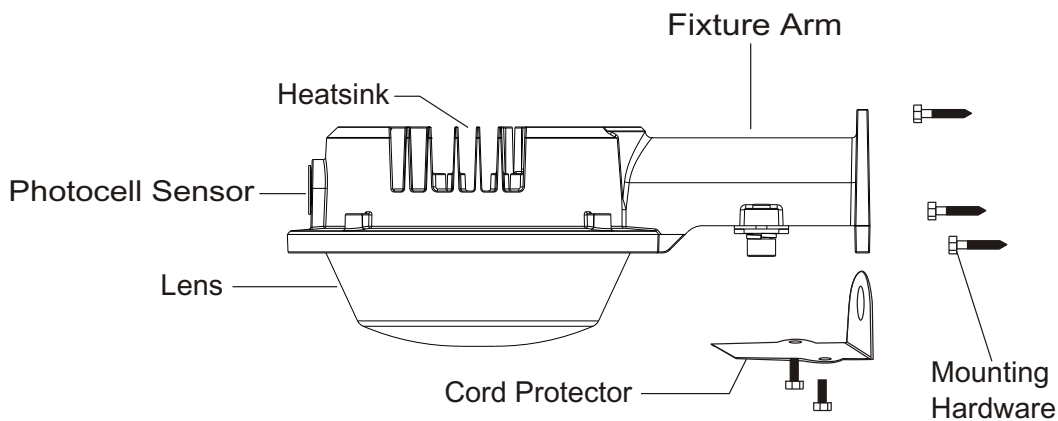
Item	Model	SP-80W	SP-100W	SP-120W
General Performance	Power	80W	100W	120W
	Lumen Output	9600 lm	12000 lm	14400 lm
	Efficacy	120 lm/W	120 lm/W	120 lm/W
	Color Temperature	3000K/4000K/5000K/5700K	3000K/4000K/5000K/5700K	3000K/4000K/5000K/5700K
	LED type	SMD 3030	SMD 3030	SMD 3030
	CRI	Ra>80	Ra>80	Ra>80
Electrical	Power Factor	>0.9	>0.9	>0.9
	Input Voltage	100-277VAC,50/60Hz	100-277VAC,50/60Hz	100-277VAC,50/60Hz
	THD	<20%	<20%	<20%
	Beam angle	120°	120°	120°
Physical	Weight	2.7Kg	2.85Kg	2.95Kg
	Dimension	325x230x123mm	325x230x123mm	325x230x123mm
	Housing	Die-cast aluminum	Die-cast aluminum	Die-cast aluminum
	Cover	PC	PC	PC
	Mounting	Wall Mounting	Wall Mounting	Wall Mounting
	Operation Temperature	-35℃~55℃	-35℃~55℃	-35℃~55℃
	Finish	Gray	Gray	Gray
	IP rated	Ip65	Ip65	Ip65
Certificate	Certificate	ETL , cETL , CE , RoHS	ETL , cETL , CE , RoHS	ETL , cETL , CE , RoHS
	Material Usage	RoHS compliant	RoHS compliant	RoHS compliant
	Driver Class	Class II	Class II	Class II
	LED Class	Rated to 50,000 hours	Rated to 50,000 hours	Rated to 50,000 hours

8. Installation

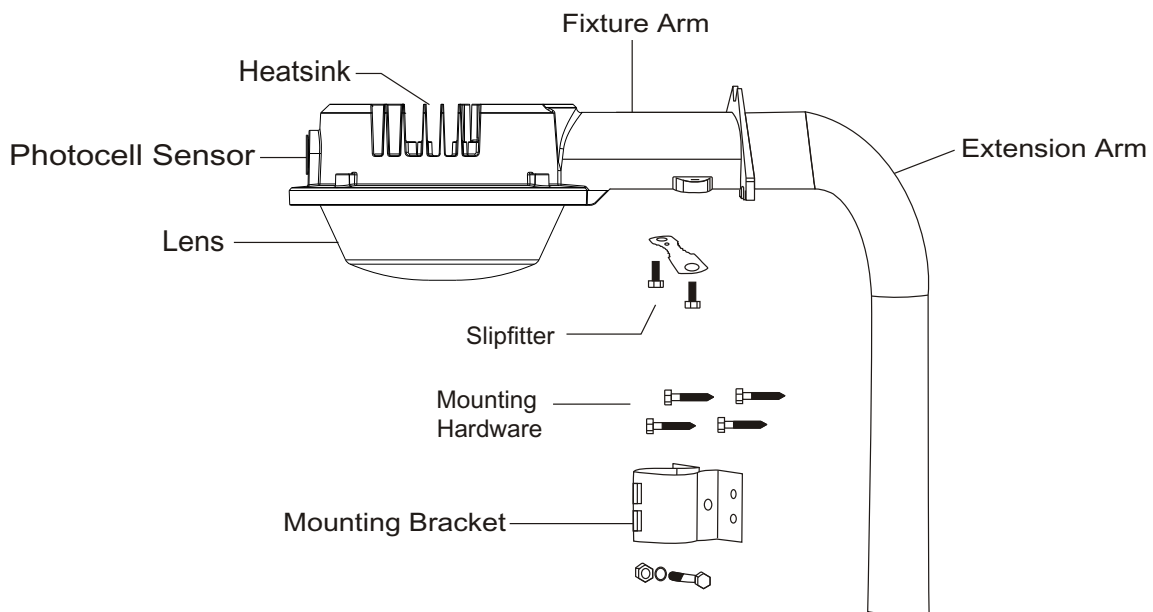
SP-35W SP-50W

1. Dusk-to-dawn LED Outdoor Barn Light luminaire features a design that can be mounted to any vertical surface using lag bolts or other comparable and suitable anchors, with a wiring compartment that is easily accessible without the need to remove the lens or disassemble the fixture.
2. Dusk-to-dawn LED Outdoor Barn Light can also be mounted to existing 1-1/2" or 1-5/8" pipe mounts, offering the installer the flexibility to satisfy many different mounting applications and requirements.
3. This is especially useful when using the LED Outdoor Barn Light to retrofit older dusk-to dawn luminaires.

INSTALLATION#1-Wall Mounting:



INSTALLATION #2 -Arm Mounting

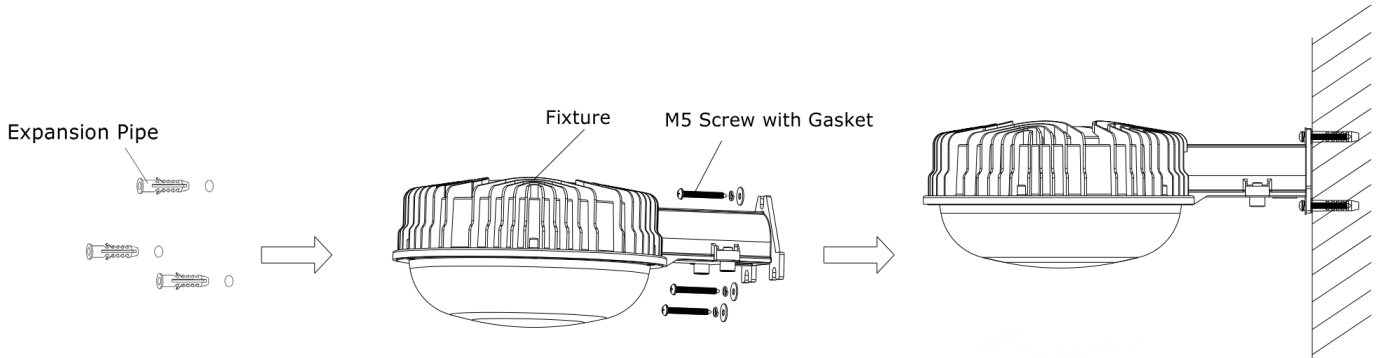


LED Barn Light

SP-80W SP-100W SP-120W

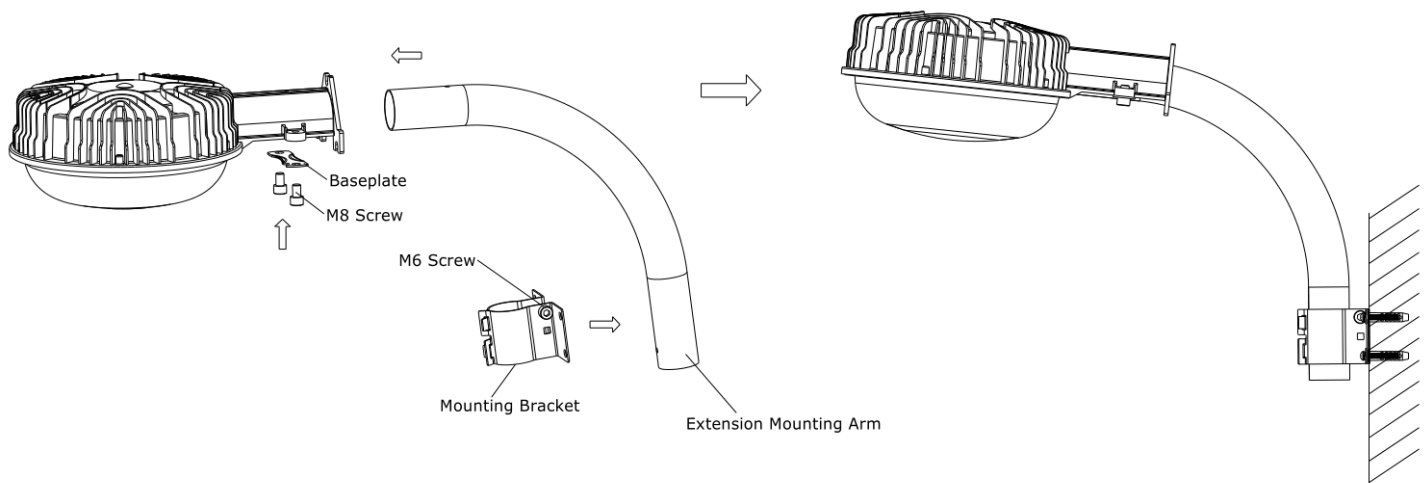
INSTALLATION#1-Wall Mounting:

1. Drill three holes into the wall, then screw the expansion pipe into the holes
2. Connect AC Power Line, Black-L wire, White-N Wire, Green-E Wire
3. Tighten three M5 screws with gaskets to fix the light on the wall



INSTALLATION #2 -Arm Mounting(Kindly Note: Mounting Hardware is not included):

1. Connect AC Power Line, Black-L wire, White-N Wire, Green-E Wire
2. Tighten the mounting bracket on the extension arm with M6 screw, then install the baseplate and two M8 screw to fix the arm on the fixture
3. Drill into the wall, then screw the expansion pipe into the holes
4. Tighten Four M5 screws to fix the light on the wall



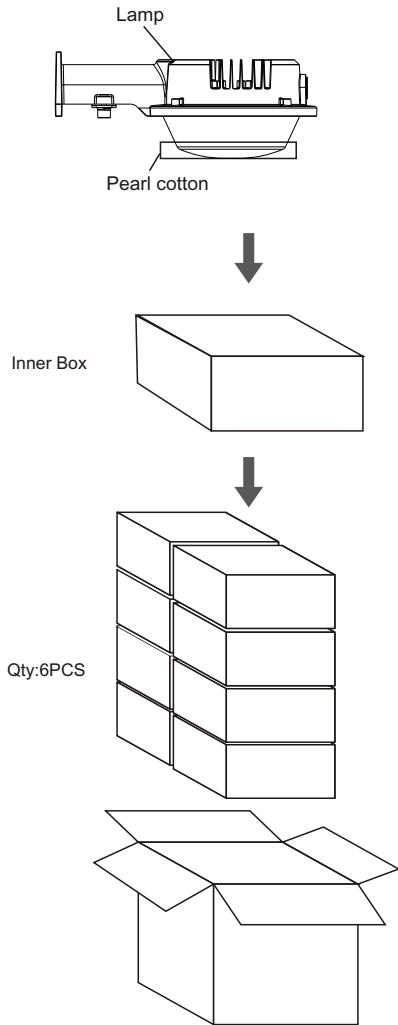
LED Barn Light

9.Packaging

Packaging: Wall Mounting

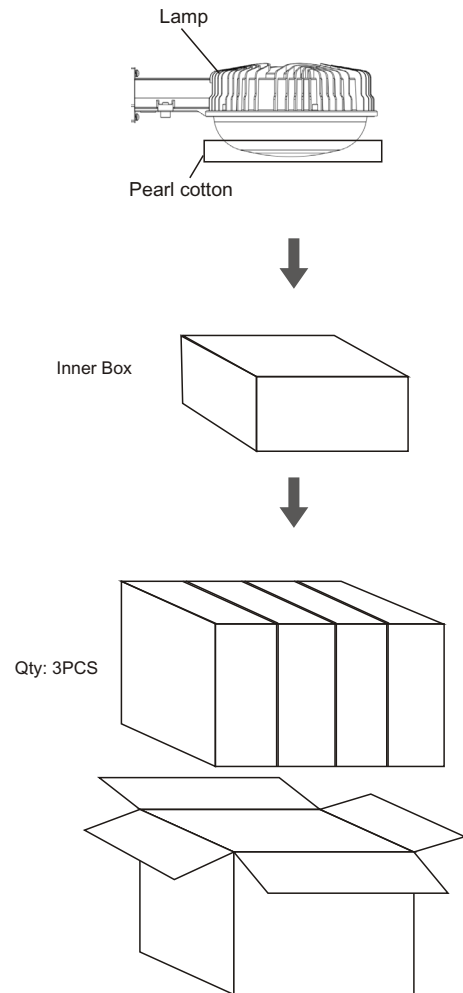
No.	Model	Power	N.W.	Inner Box	Qty/ctn	G.W	Outer Carton
1	SP-35W	35W	2.2Kg	296x203x132mm	8	10.5KG	570x315x435mm
2	SP-50W	50W	2.5Kg	296x203x132mm	8	11.5KG	570x315x435mm
3	SP-80W	80W	2.7Kg	380x280x145mm	4	13.5KG	645x395x310mm
4	SP-100W	100W	2.85Kg	380x280x145mm	4	14.0KG	645x395x310mm
5	SP-120W	120W	2.90Kg	380x280x145mm	4	14.5Kg	645x395x310mm

SP-35W SP-50W



Inner Box: 296x203x132mm (11.7"x8"x5.2")
 Qty/ctn: 8PCS
 Outer Carton4 570x315x435mm (22.4"x12.4"x17.1")

SP-80W SP-100W SP-120W



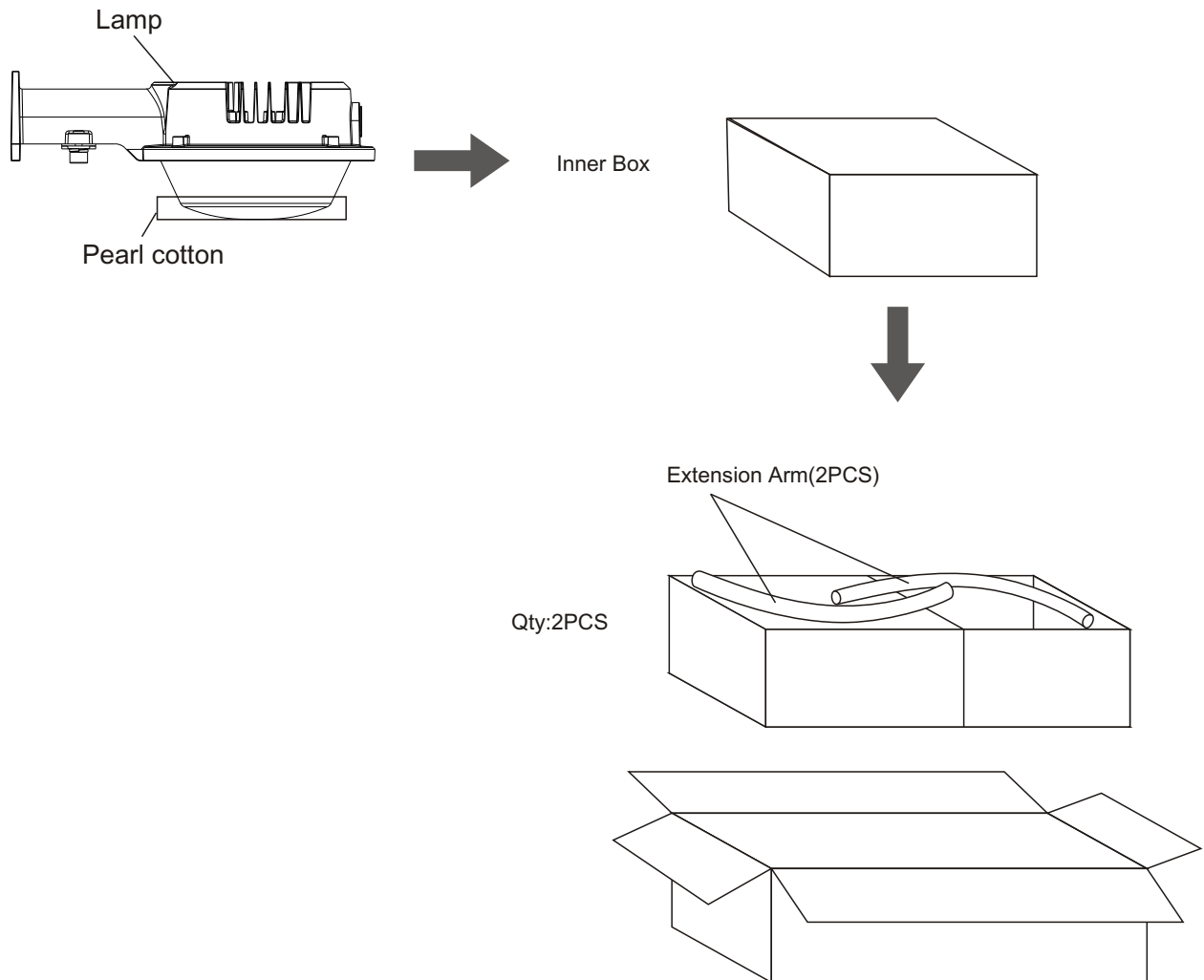
Inner Box: 380x280x145mm (15"x11"x5.7")
 Qty/ctn: 4PCS
 Outer Carton5 645x395x310mm (25.4"x16"x12.2")

LED Barn Light

Packaging: Arm Mounting

No.	Model	Power	N.W.	Inner Box	Qty/ctn	G.W	Outer Carton
1	SP-35W	35W	2.95Kg	296x203x132mm	2	6.9KG	570x315x435mm
2	SP-50W	50W	3.25Kg	296x203x132mm	2	7.5Kg	570x315x435mm
3	Arm		0.73KG	430x140x53mm	27	21.5kg	470x445x445mm

SP-35W SP-50W



Inner Box: 296x203x132mm (11.7"x8"x5.2")

Qty/ctn: 2PCS

Outer Carton 625x240x170mm(24.6"x9.4"x6.7")