

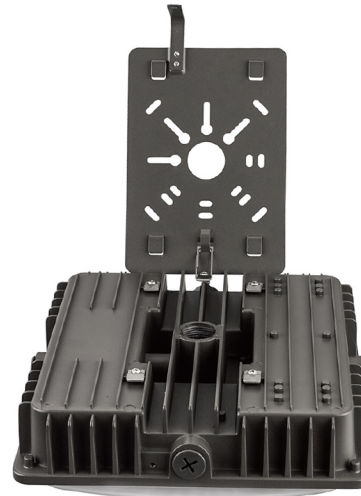
LED CANOPY LIGHT

LED Canopy light

Ideal for indoor or half outdoor lighting, like indoor parking, gas stations, Stairwells, Passageway's, Toll booth's, waiting rooms, etc.

IP65 Waterproof, perfect for any Damp or Wet Locations. Resists Rust, Corrosion, Cracking and any Electrical Shocks or Fires due to Moisture.

corporate & office, education, government, healthcare industrial & warehouse, municipal, parking, petroleum & convenience stores, recreation & public venues, restaurants & hospitality, retail & grocery.



Features

- PC Cover milky&transparent
- Working temperature(F):-30° F to 130°F
- High output 140LM/W SMD3030 Chips
- Sturdy Die-Cast Aluminum Housing
- Cast aluminum thermal management for optimal heat sinking
- Protective powder coating for lasting appearance.
- Reflective lens design to optimize lighting efficiency and minimize glare
- IP65 rating for outdoor use.
- Instant start, no noise, no flickering.
- Mounts to standard junction boxes
- The super thin appearance design conforms to modern aesthetic;
- Suitable for recessed or surface mounted installation
- Top quality with 5 years warranty.

Applications

Airport, auto dealership, corporate & office, education, government, healthcare, industrial & warehouse, municipal, parking, petroleum & convenience stores, recreation & public venues, restaurants & hospitality, retail & grocery

Series	Lumens	Wiring	Beam Angle (Degree)	Electrical Data	LED Type	Color temperature	Color rendering index
45W	6300Lm	3 pin wires	120°	Input Voltage 100-277V 50~60Hz Power Factor(%) >90	SMD 3030 chips	WW 3000K	CRI≥80
70W	9800Lm					NW 4000K	

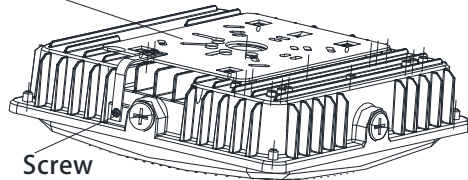
Installation Instructions

Ceiling Installation



Warning: Turn off the power before installation

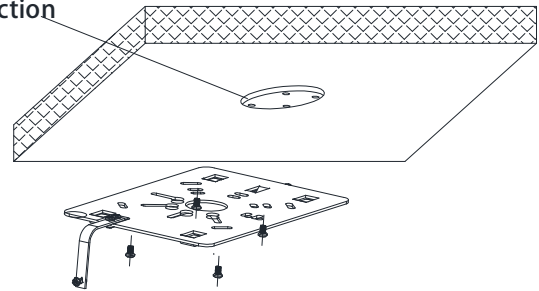
Mounting plate



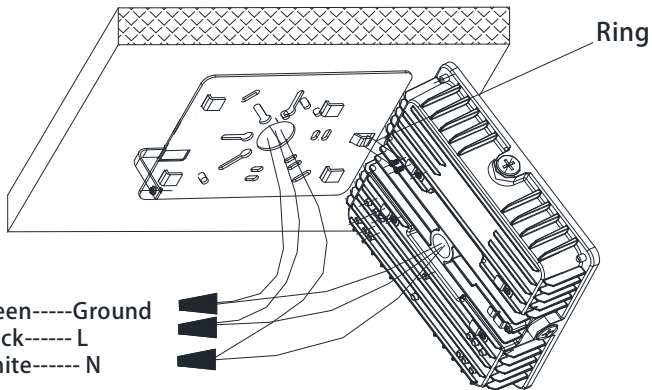
Screw

1. Loosen the screw to take off the mounting Plate from the lamp.

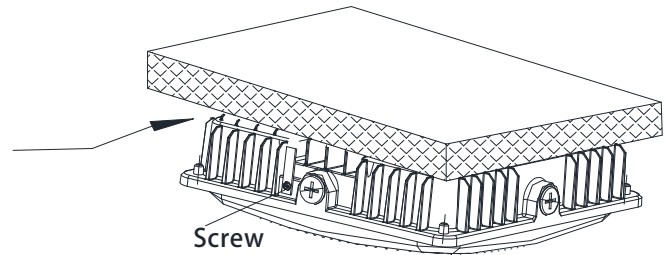
Junction Box



2. Lock the Mounting plate on the embedded Junction box.



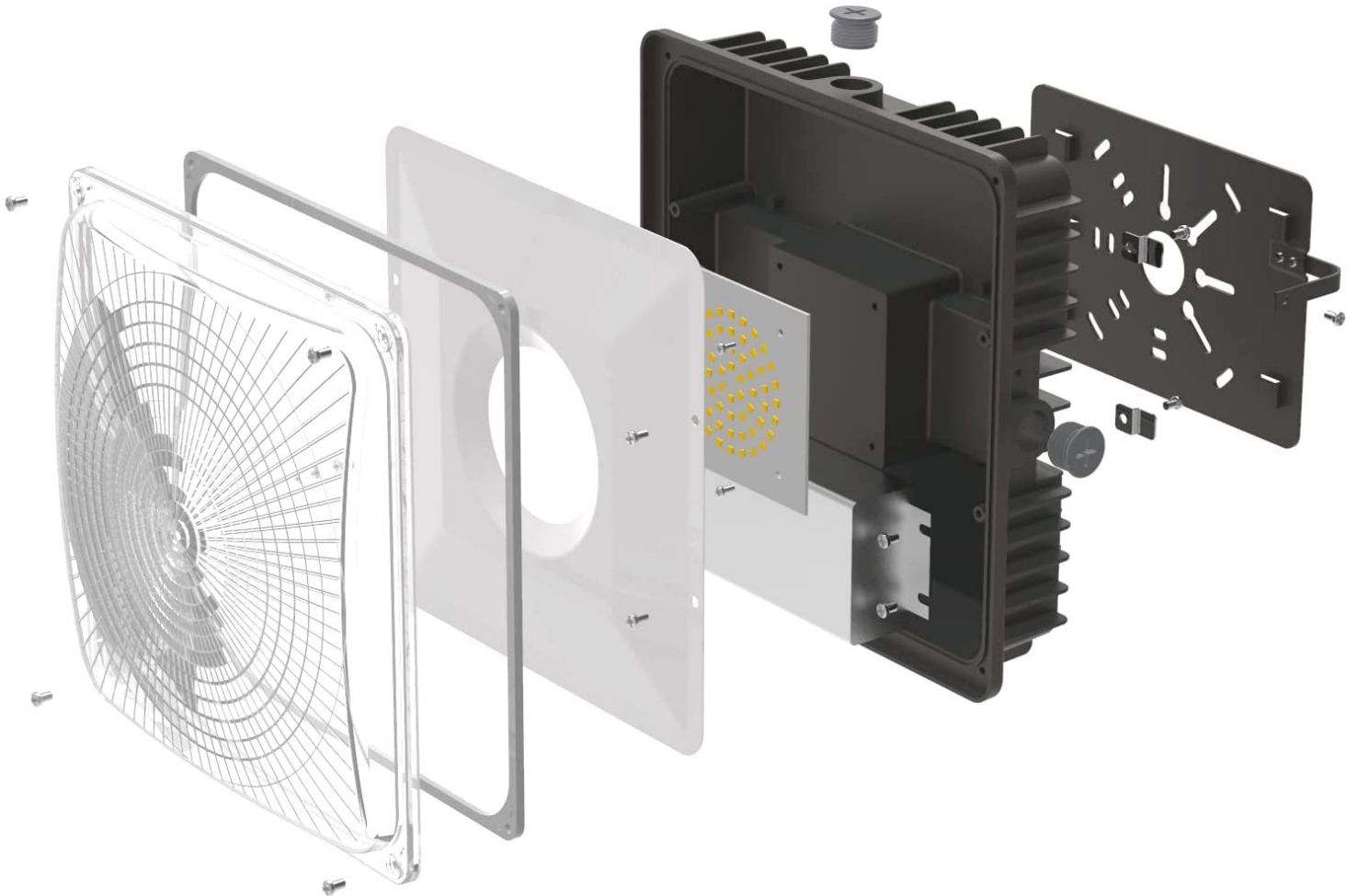
3. Hang the lamp on the ring so as to connect Wire with terminal caps.



Screw

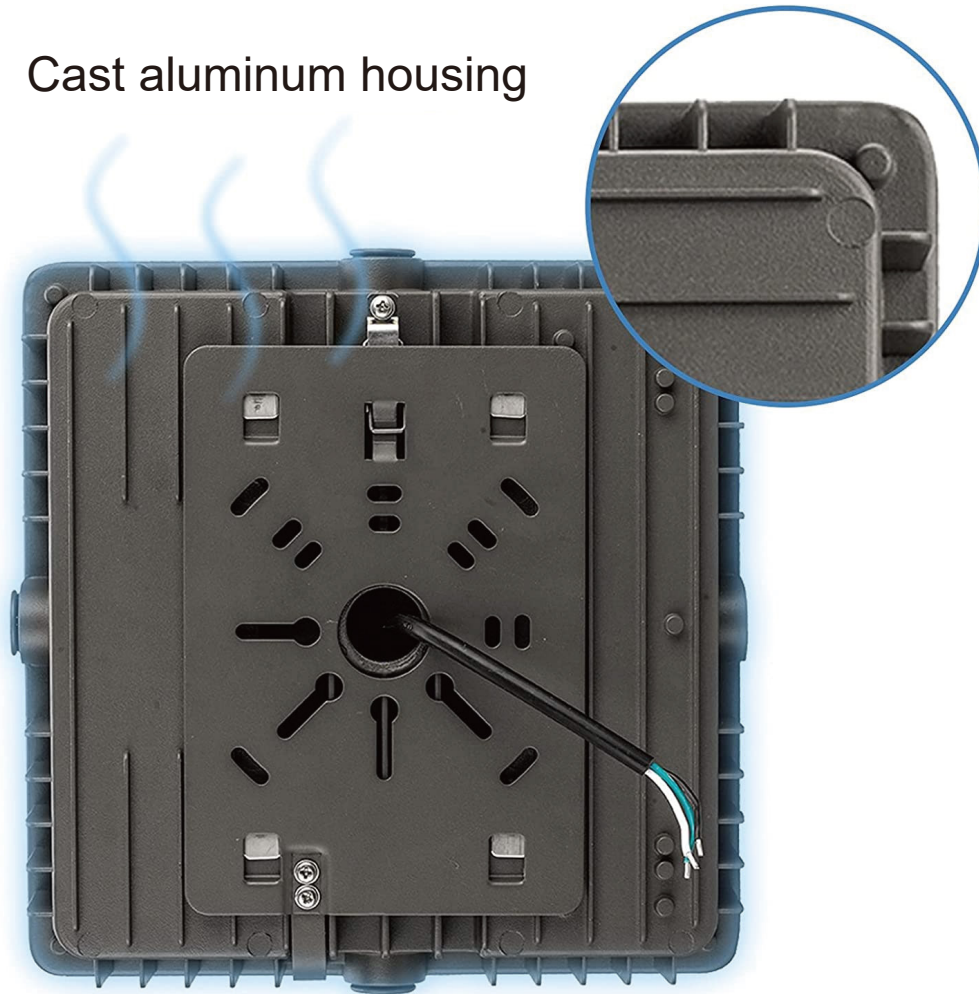
4. Hook up lamp on the mounting plate and Secure the screw, Installation completed.

Structure



PERFECT COOLING

Cast aluminum housing

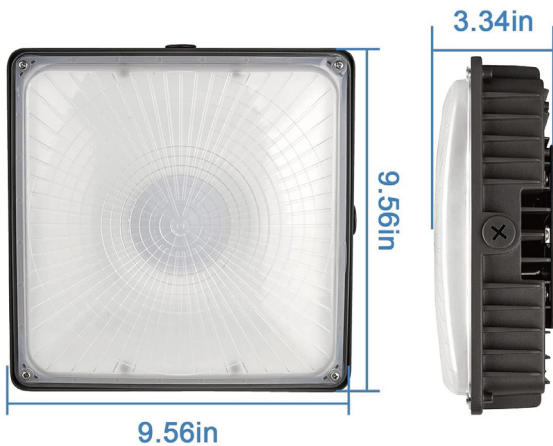


LED CANOPY LIGHT

Packaging



Dimension



Applications

