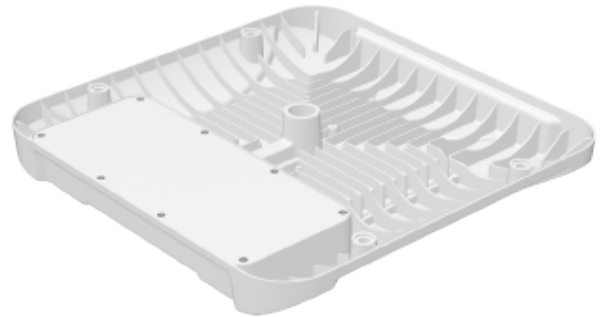
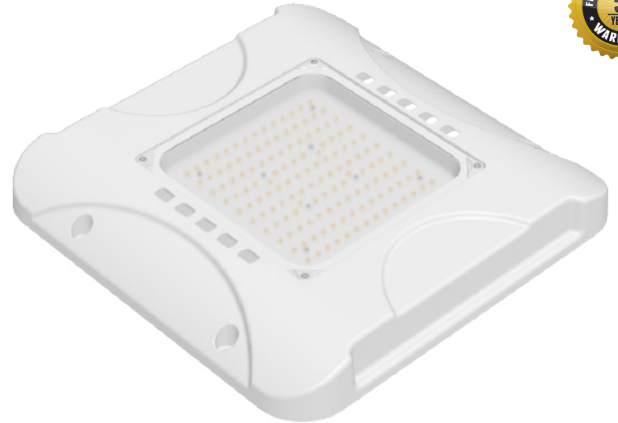
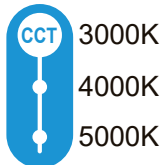


## KEY FEATURES

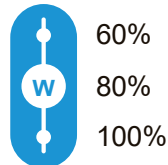
- \* Universal voltage AC100-277V 50/60Hz
- \* Up to 140 lm/w light efficiency
- \* Using high quality 3030 LED chips
- \* High power factor >0.9, low THD driver
- \* Adjustable power: 60%/ 80%/ 100%
- \* Adjustable CCT: 3000K/ 4000K/ 5000K
- \* Dust-proof and waterproof, IP65
- \* One-piece die-cast aluminum heat-sink
- \* Impact-resistant polycarbonate lens
- \* Formulated for high-durability and long-lasting color
- \* 5-year warranty



### CCT Adjustable

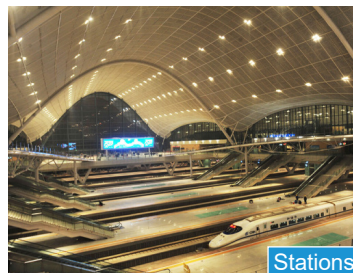


### Power Adjustable



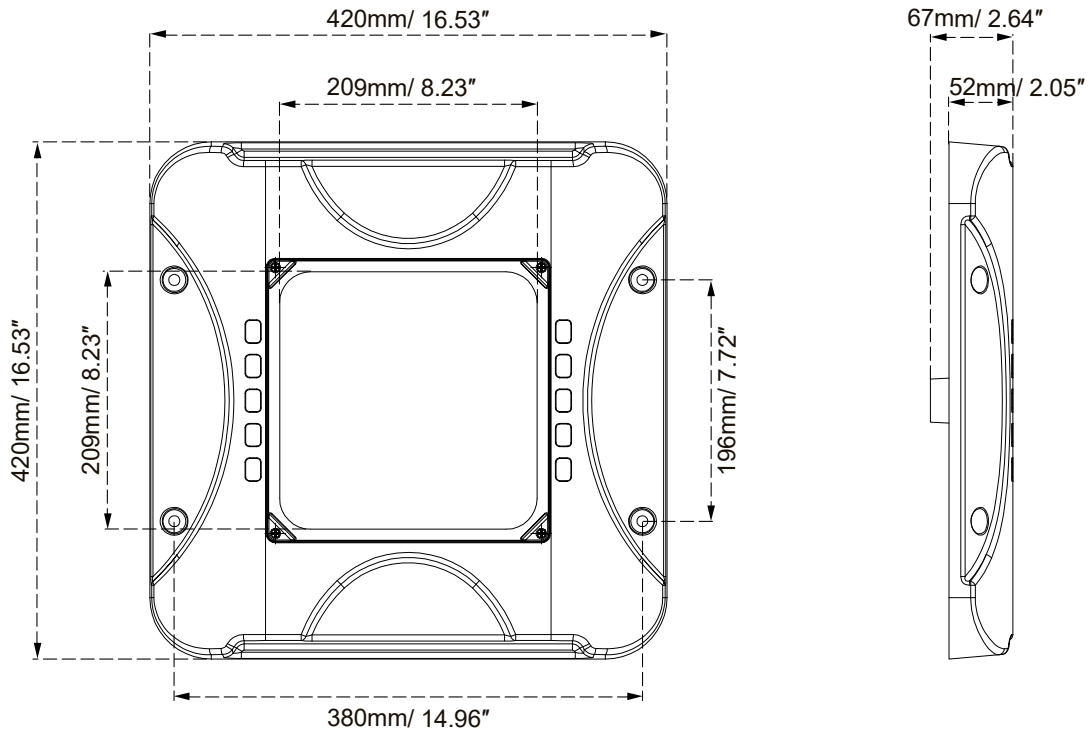
## APPLICATIONS

Widely used in construction site lighting, plant lighting, industrial lighting, sports centers, gas stations, parking lots, waiting rooms, railway stations, ports, terminals and other large-scale energy-efficient lighting.



150W

Weight:4500g/ 9.92 lbs



Model	Lumen (±10%lm)	Efficacy (±10%)	Beam Angle	LED/ Qty.	Power (±10%)	Voltage/ Frequency	CRI	PF	Water-proof	Working Temperature	CCT & Power Adjustable
NG-CGS-150W	21000	140LM/W	120°	SMD3030 - 360pcs (3000K-180pcs) (5000K-180pcs)	150W	AC100-277V 50/60Hz	≥80	>0.9	IP65	-40°C~40°C (-40°F~104°F)	3000K/ 4000K (mix) / 5000K 100%/ 80%/ 60%

**\* IMPORTANT**

**READ CAREFULLY BEFORE INSTALLING FIXTURE. RETAIN THESE INSTRUCTIONS FOR FUTURE REFERENCE.**

NGTLIGHT fixtures must be wired by qualified electrician. Proper grounding is required for safety.

Make sure power is OFF before installing or maintaining fixture.

\*Install height from floor higher than 1.2m.

Safety rope: The safety rope will be hung on the lamp body, the other end fixed to the ceiling expansion bolts.

**CAUTION:** Be sure fixture temperature is cool enough to touch. Do not clean or maintain while fixture is energized.

**SIMPLE METHOD OF INSTALLATION:**

Make sure that the ceiling can support the weight of the lamp.

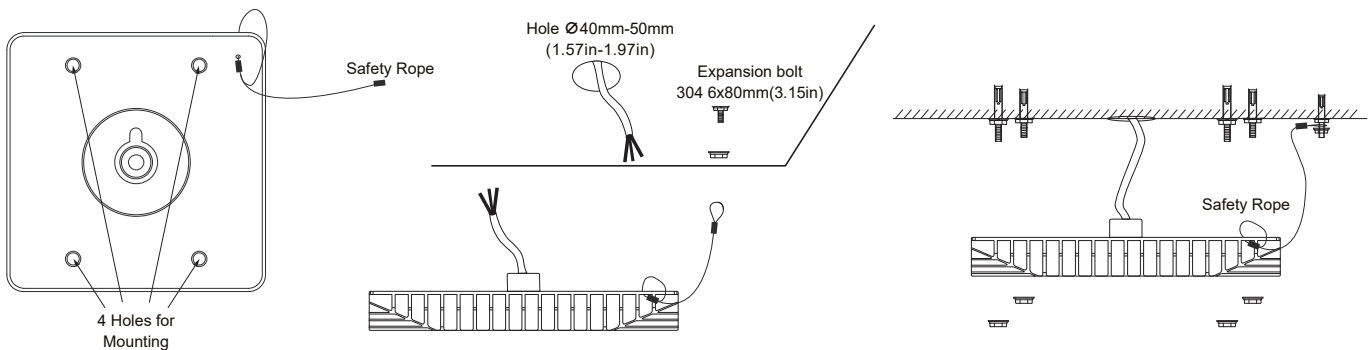
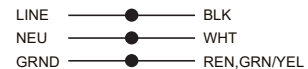
- ① Make one hole between 40mm-50mm(1.57in-1.97in) in the ceiling.
- ② Put the fixture on the ceiling, make four marks according to 4 mounting kits, then drill 4 holes for them.
- ③ Connect the wires correctly and make sure the wires are well protected.
- ④ Get rubber plugs into the holes, match 4 mounting kits to the rubber plugs, then fix the fixture on the ceiling by screws.

Ensure that no wires are pinched during installation.

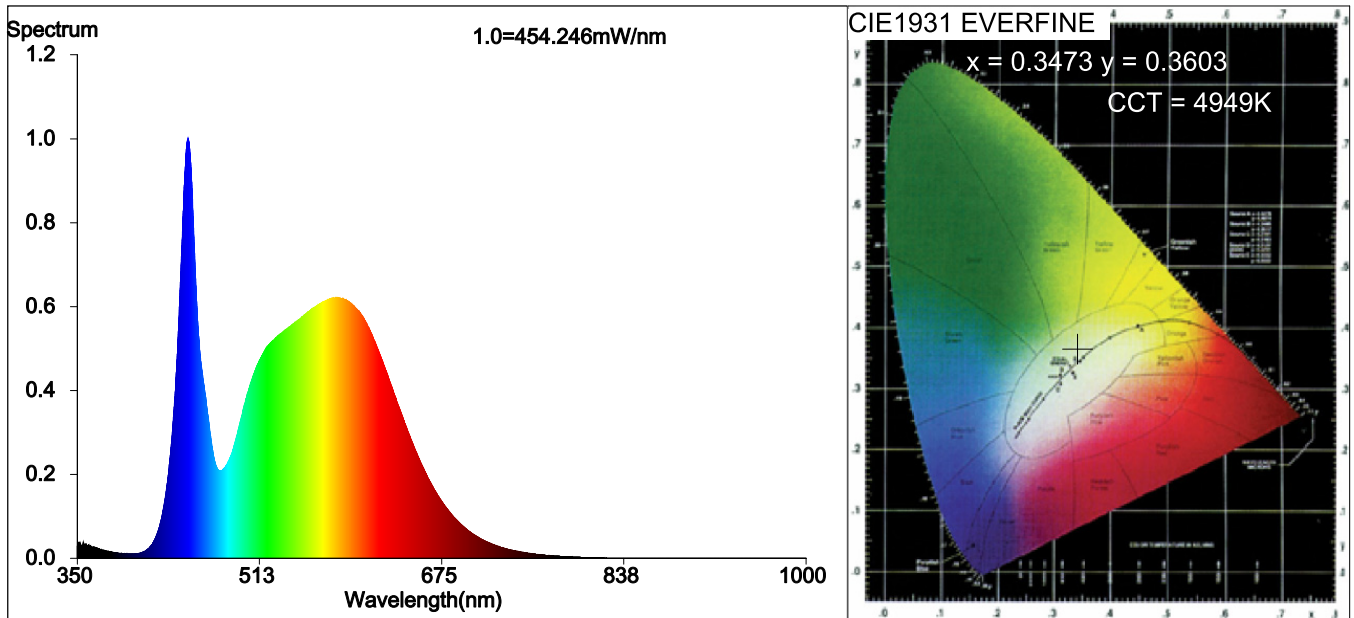
- ⑤ After installation, sealed by waterproof glue between fixture and the mounting surface.

**ELECTRICAL CONNECTIONS**

- a. Connect the black wire to line.
- b. Connect the white wire to neutral.
- c. Connect the green or green/yellow wire to ground.



**Remark:** expansion screws are not included.



### Color Parameters:

Chromaticity Coordinate:x=0.3473 y=0.3603/u'=0.2096 v'=0.4892

CCT=4949K(Duv=0.0034) Dominant WL:Ld =570.4nm WL:Lc = --nm Purity=12.3%

Ratio:R=15.4% G=80.4% B=4.2% Peak WL:Lp=448.8nm FWHM=19.7nm

Render Index:Ra=80.8 AvgR=73.0 TM30:Rf=82 Rg=95

R1 =78	R2 =86	R3 =91	R4 =81	R5 =79	R6 =80	R7 =87	
R8 =65	R9 =0	R10=66	R11=80	R12=57	R13=80	R14=95	R15=72

### Photo Parameters:

Flux = 21531.75 lm Eff. : 142.5 lm/W Fe = 54.17 W Photosyn-  
thetic:PPF:241.87umol/s PAR WATT:52876mW(400-700nm)

### Electrical parameters:

V = 119.70 V I = 1.262 A P = 151.1 W PF = 0.9944

LEVEL:OUT WHITE:ANSI\_5000K

## How to adjust the power and color temperature of the light:

### \* Tips:

1. Make sure power off before adjust.
2. Please unscrew the background driver cover.
3. Adjust power and CCT accordingly.

### CCT Selections:

There are 3 color temperatures available (WW CW/WW CW).

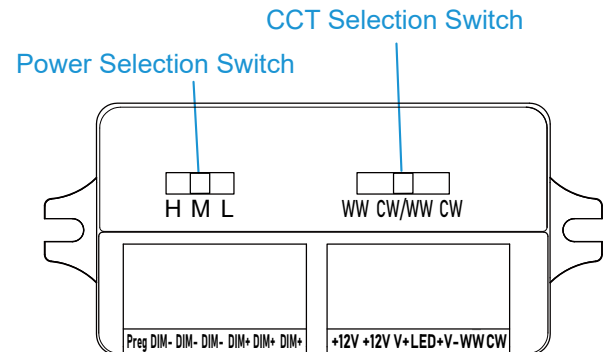
Please select the color temperature you prefer before installation.

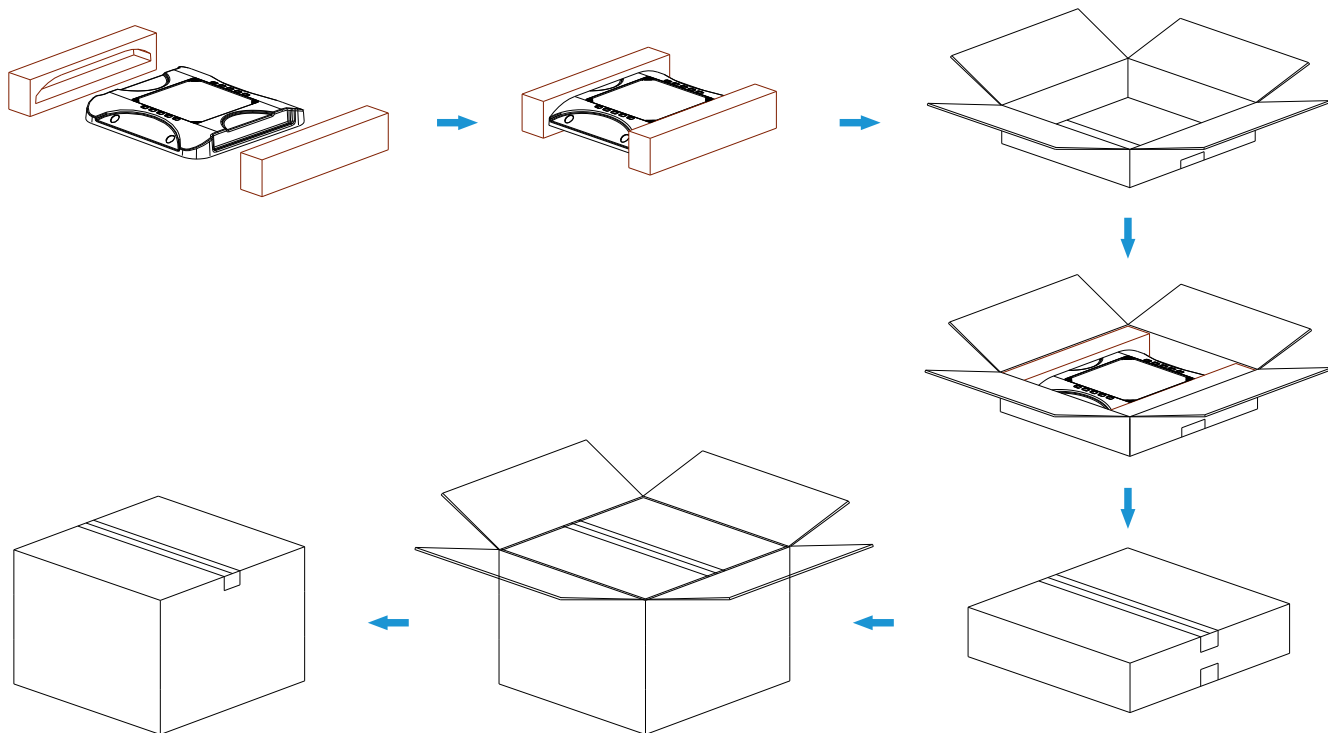
WW	CW/WW	CW
3000K	4000K	5000K

### Power Selections:

Move the power selection switch from left to right. Power decreases accordingly.

H	M	L
100%	80%	60%





Power	Unit	Size	Gross Weight	Volume
NG-CGS-150W	1 PC	465x460x115mm/ 18.31"*18.11"*4.53"	5.2 KG/ 11.46 lbs	0.024m <sup>3</sup>
	3 PCS	490x485x390mm/ 19.29"*19.09"*15.35"	16.5 KG/ 36.37 lbs	0.093m <sup>3</sup>