

LED POST TOP LIGHT

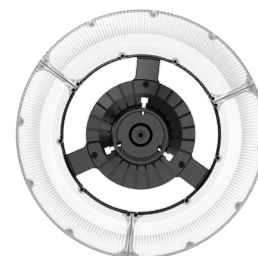
LED Post top area light

Post Top area light fixture ideal for pathways and parks for general area lighting applications. Custom designed die cast aluminum housing with corrosion resistant powder coat paint finish, super thin round lighting body provide high light distribution, the original top illuminating part provide unique light effect. Support rods attach to a 2 3/8" tenon pole adapter. It comes in 4 different outputs and offers photocell and CCT selectable options. LED Post top fixture is UL cUL DLC CE, DLC approved safety certification guaranteed, eligible for rebate



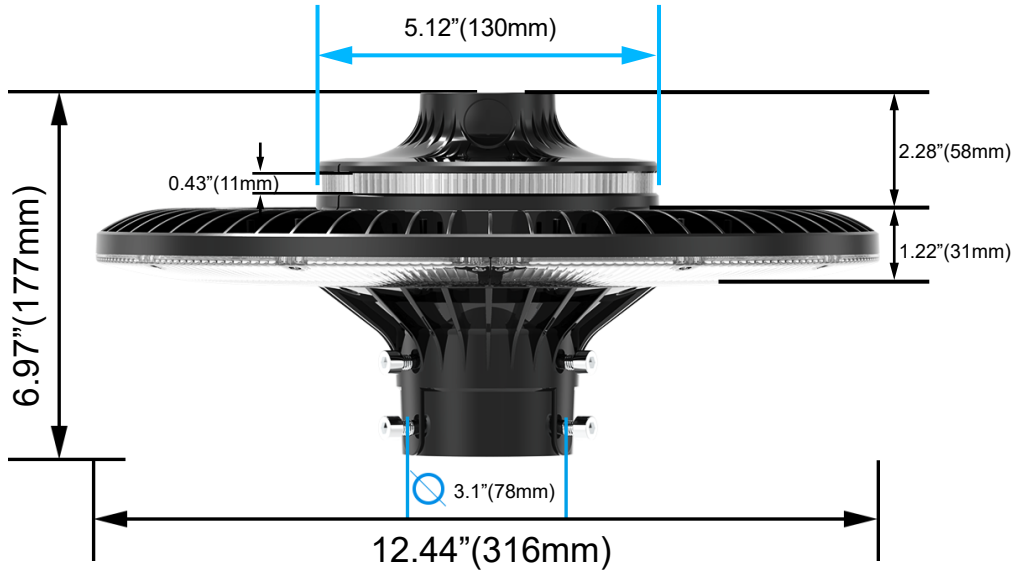
Features

- Unique 2 lighting part design.
- 60W,80W,100W,120W,150W,200W options
- IP65 waterproof dust free
- 6kV built in plus 10kV external surge protection
- 130Lm/W SMD2835 chips.
- 3000K,4000K or 5000K CCT selectable options.
- 100V-277V, 50/60Hz, PF>0.9, CRI>80
- Photocell dusk to dawn sensor
- UV stabilized vandal resistant polycarbonate lens
- UL cUL DLC CE approved.
- Slip fitter mounting fits 2 3/8" tenon

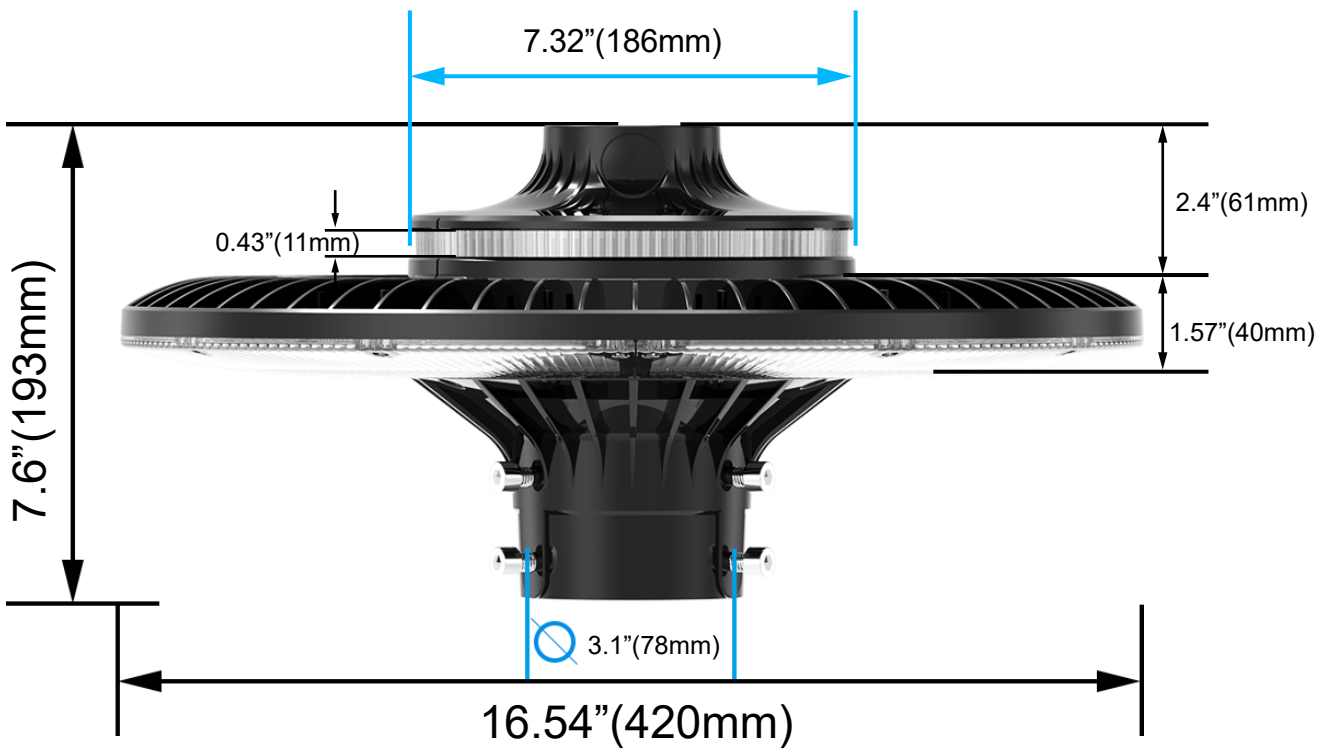


Series	Lumens	LED Quantity	Wiring	LED Type	Electrical Data	Beam Angle (Degree)	Color temperature	Color rendering index
NG-AL-60W	7800Lm	322PCS	LIVE NAUGHT EARTH	SMD 2835 Chips	Input Voltage 100-277VAC 50/60Hz Power Factor (%) 90>	120 degree	3000 K 4000 K 5000 K	CRI ≥ 80
NG-AL-80W	10400Lm	322PCS						
NG-AL-100W	13000Lm	322PCS						
NG-AL-120W	15600Lm	768PCS						
NG-AL-150W	19500Lm	768PCS						
NG-AL-200W	26000Lm	768PCS						

DIMENSIONS



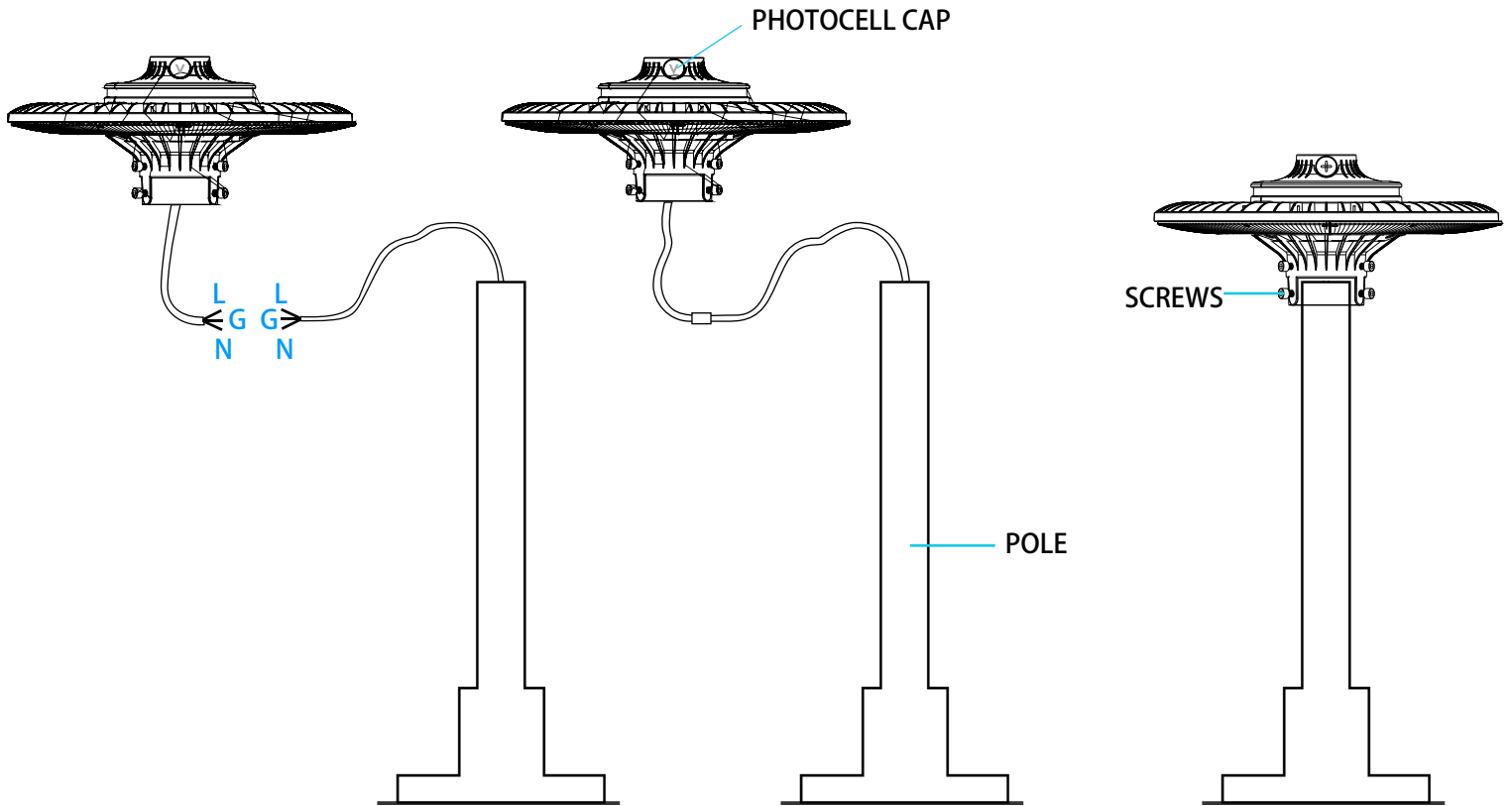
60~100W



120~200W

WIRING DIAGRAM



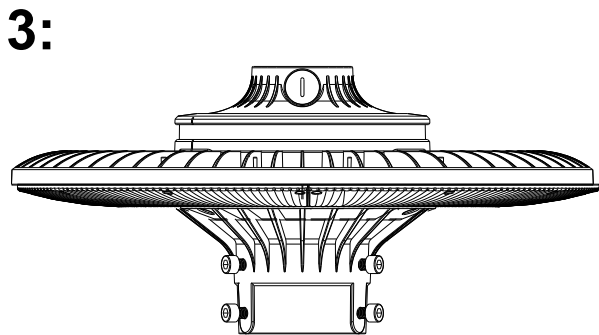
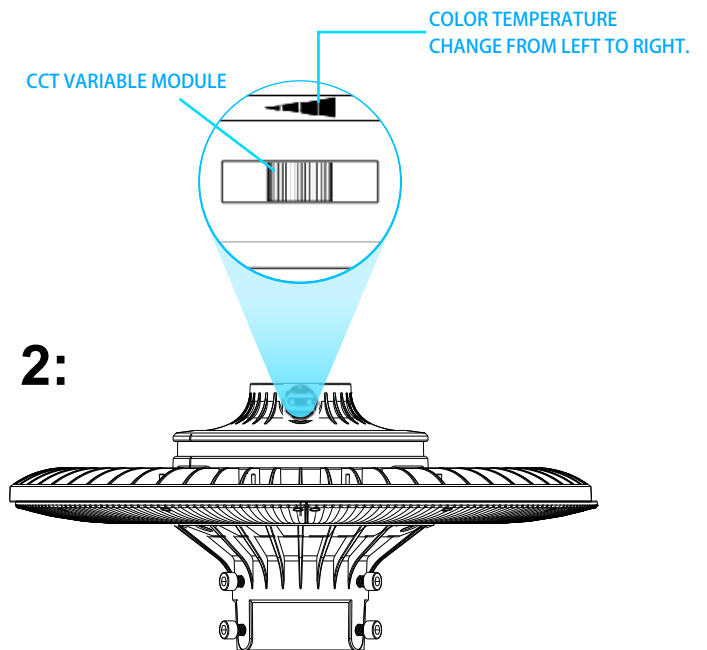
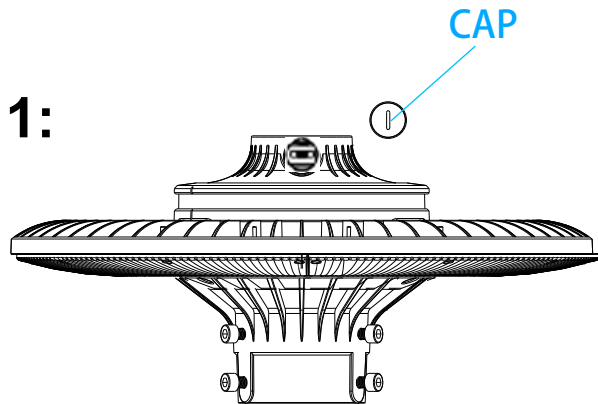


1. Properly link AC wires with light wires correctly,
Live: Black
Neutral: White
Ground: Green
2. Insulating and protect wires properly
3. Fit the tenon bracket into pole tighten the 6 screws then finished.

Application



VARIABLE CCT



1.UNSCREW THE CAP.

2.ADJUST PROPERLY CCT .

3.SCREW THE CAP.

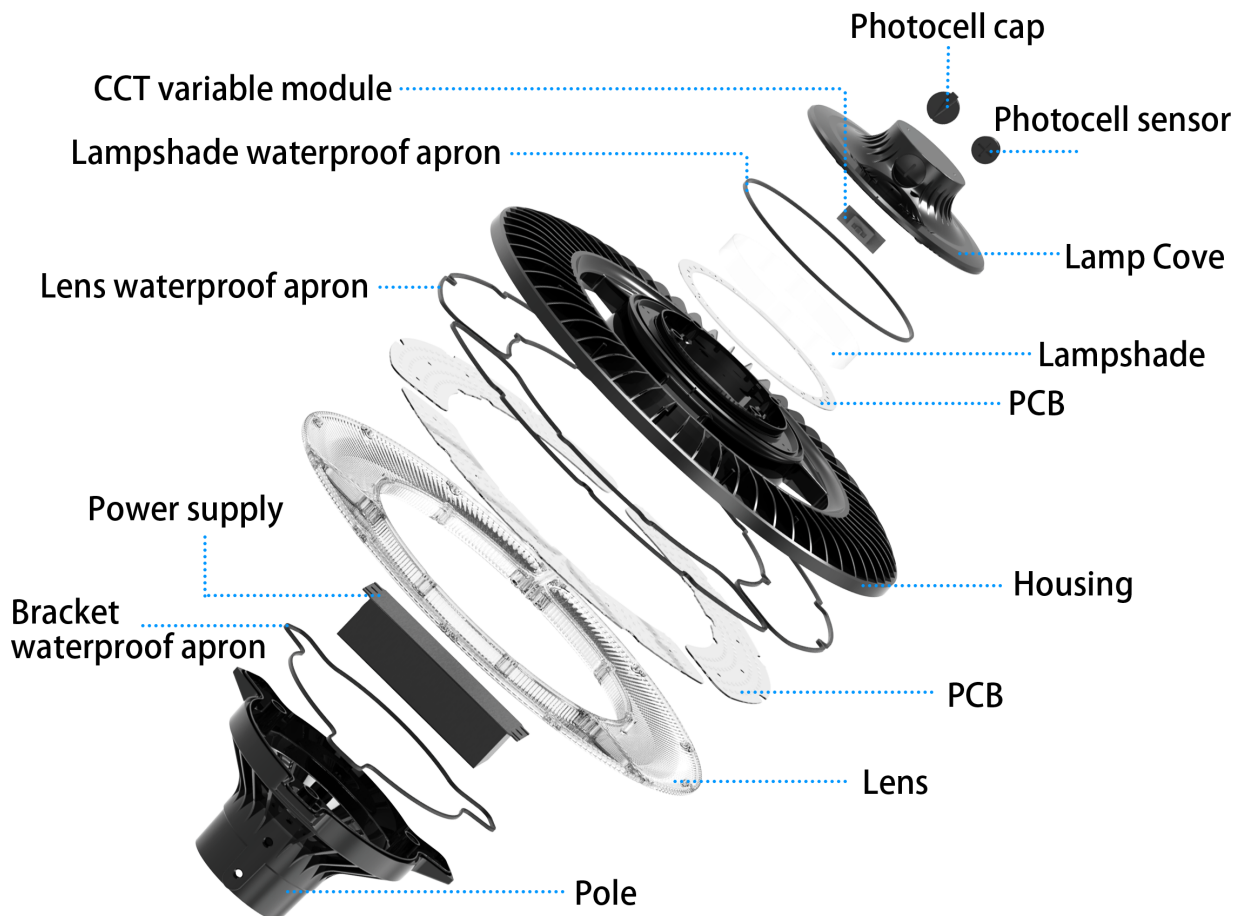
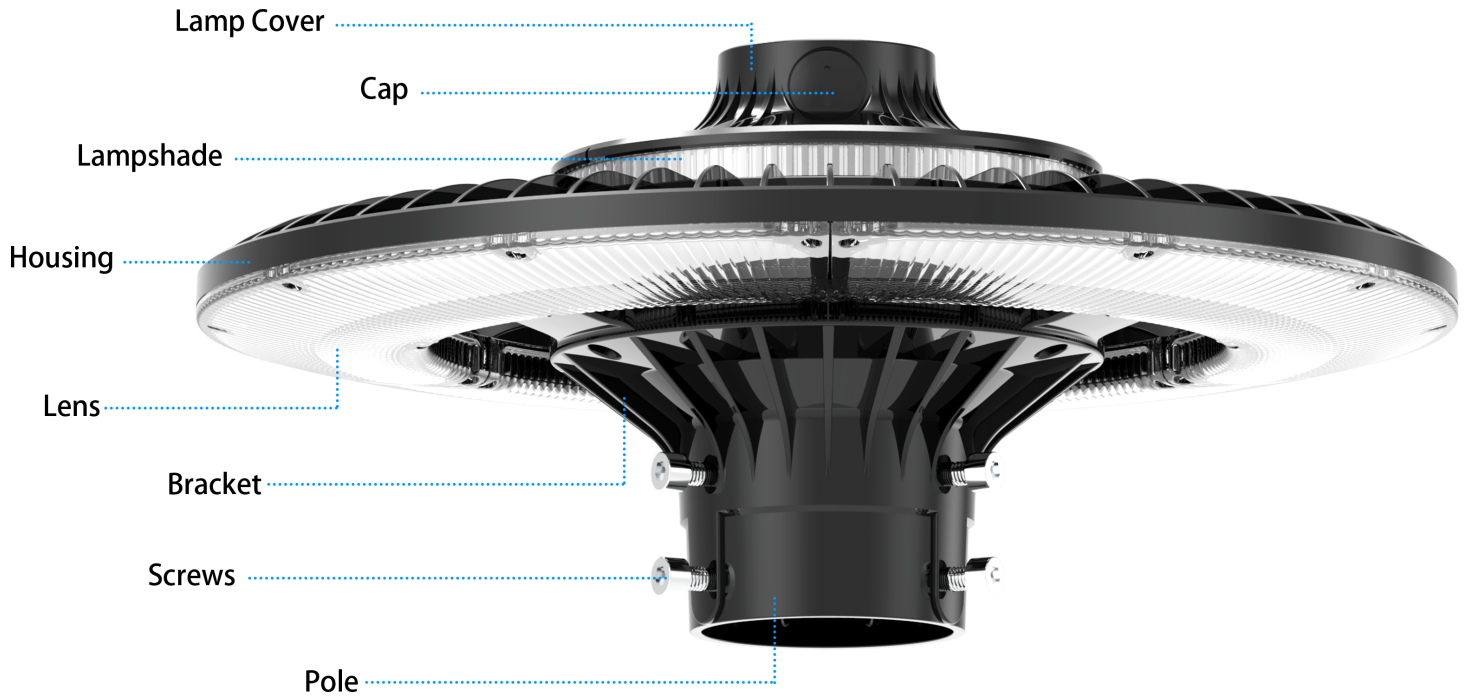


WARM LIGHT

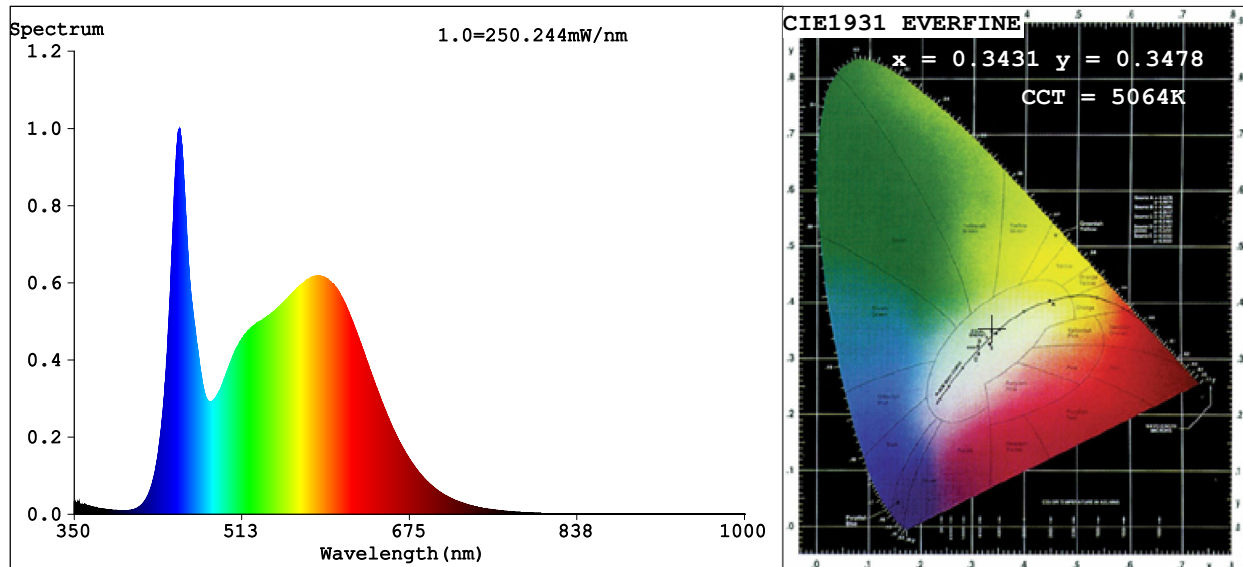


DAY LIGHT

STRUCTURE



150W LED Post top area light



Color Parameters:

Chromaticity Coordinate: $x=0.3431$ $y=0.3478/u'=0.2115$ $v'=0.4825$
 CCT=5064K(Duv=-0.0011) Dominant WL:Ld =573.3nm WL:Lc = --nm Purity=7.3%
 Ratio:R=16.1% G=78.9% B=5.1% Peak WL:Lp=452.2nm FWHM=24.3nm
 Render Index:Ra=85.2 AvgR=79.3 TM30:Rf=84 Rg=96

R1 =84 R2 =92 R3 =95 R4 =84 R5 =85 R6 =87 R7 =86
 R8 =68 R9 =14 R10=79 R11=84 R12=68 R13=86 R14=98 R15=79

Photo Parameters:

Flux = 19195.6 lm Eff. : 127.8 lm/W Fe = 30.44 WPhotosyn-
 thetic:PPF:135.81umol/s PAR WATT:29726mW(400-700nm)

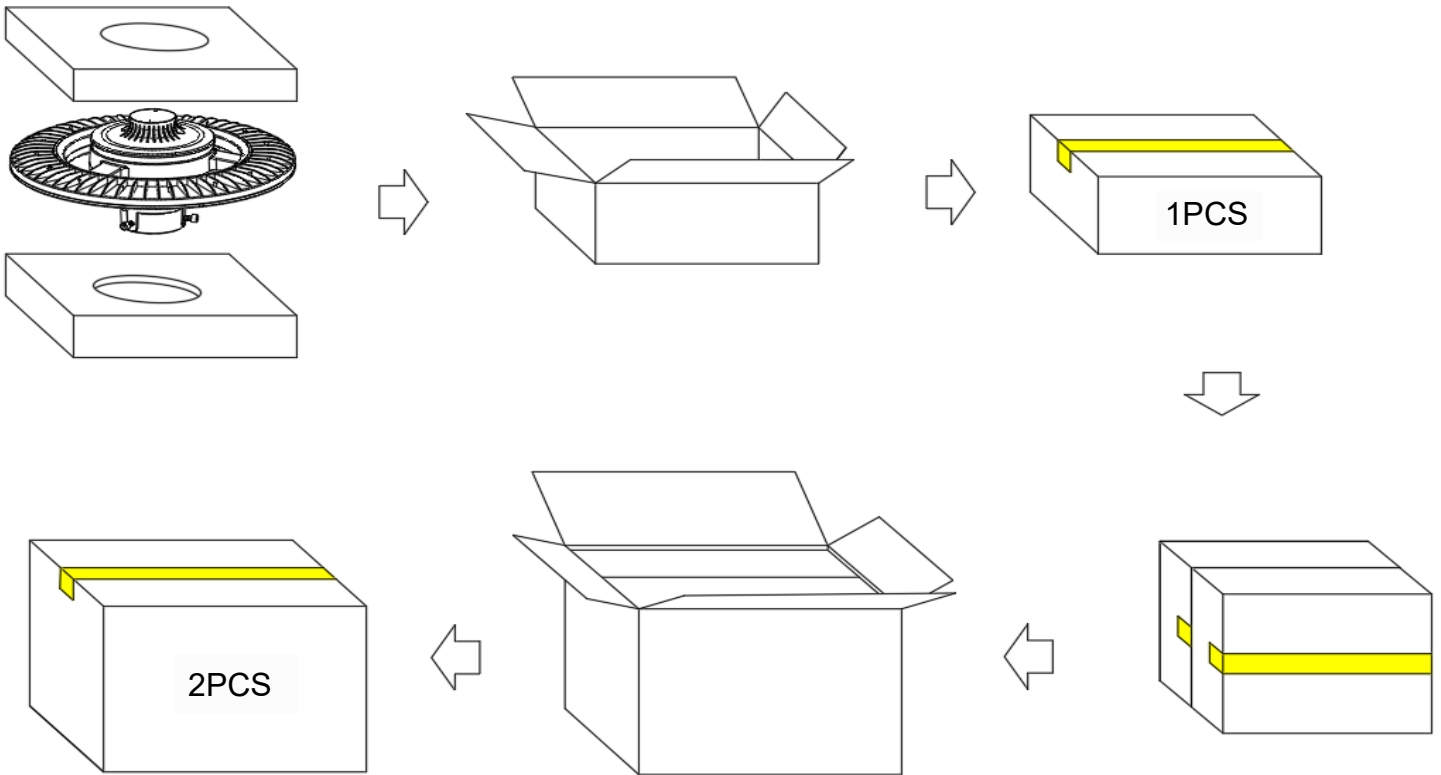
Electrical parameters:

V = 119.95 V I = 1.2522 A P = 150.2 W PF = 0.9813
 LEVEL:OUT WHITE:ANSI_5000K

Status: Integral T = 113 ms Ip = 50148 (77%)

Model:新庭院灯 5000K
 Tester:W
 Temperature:25.3Deg
 Manufacturer:EVERFINE

Number:2
 Date:2022-03-21 09:18:47
 Humidity:65.0%
 Remarks:---



Power	Unit	Size	Grass weight	Volume
60W~100W	2PCS	455*360*360mm	9.4kg	0.059 m ³
120W~200W	2PCS	495*460*460mm	14.5kg	0.105 m ³