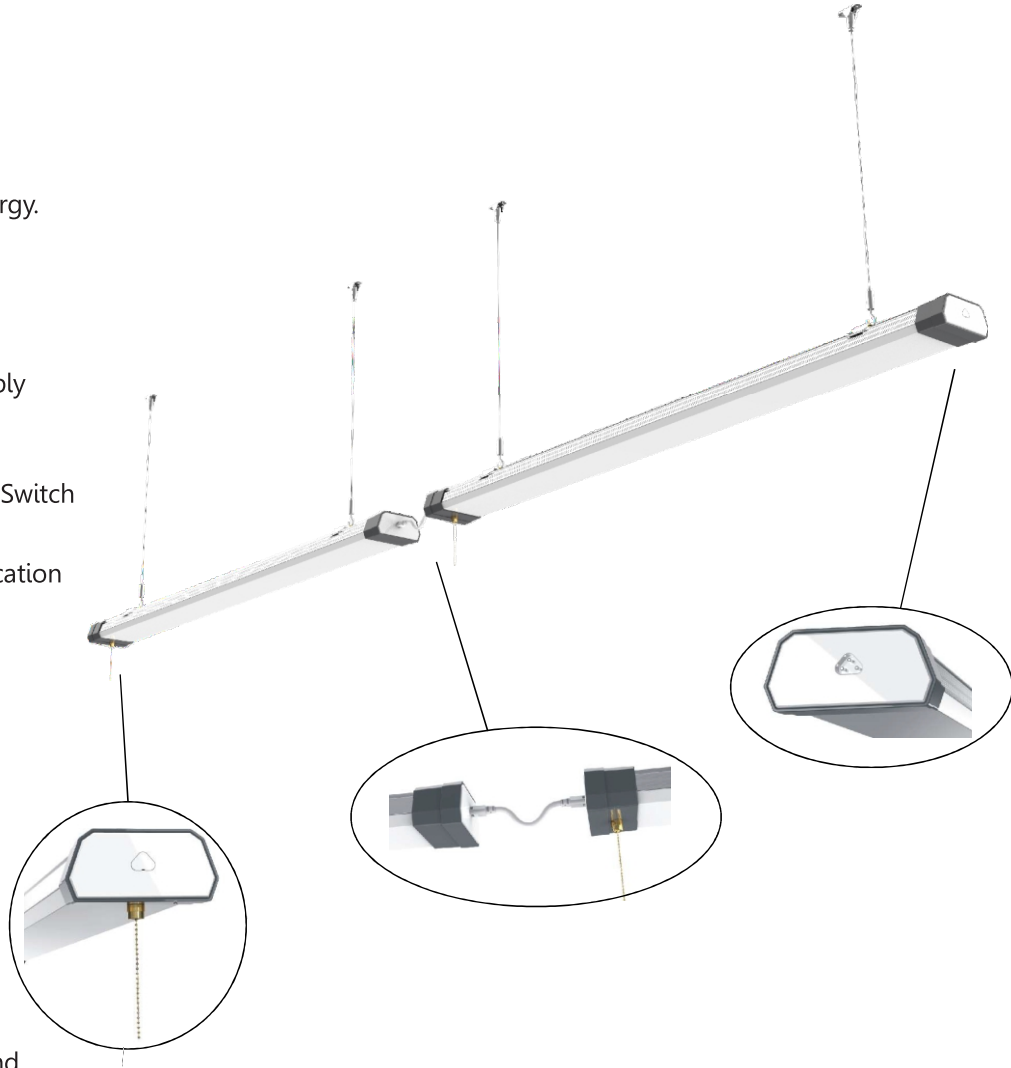


Introduction

Unique Design-LED SHOP LIGHT.
 Designed by NUOGUAN Engineering Team.
 Innovative light distribution save more energy.

Features

- Built-in AC Linear Scheme Drive Power Supply
- 120V Input Voltage
- ETL cETL approved
- Equipped With Pull Switch/Radar Induction Switch
- Beam Angle 120 Degree
- PC Lens Protect LED Chips From Damp Location
- Die-Casting Aluminum Heat Sink
- 6K High voltage surge test approved
- SMD2835 130lm/w Led Chips
- 50,000hrs Lifespan
- Top Brand Rubycon Capacitor
- OEM Special Design Company Logo
- No UV or IR Radiation
- No Magnetic Disturbance Driver Design



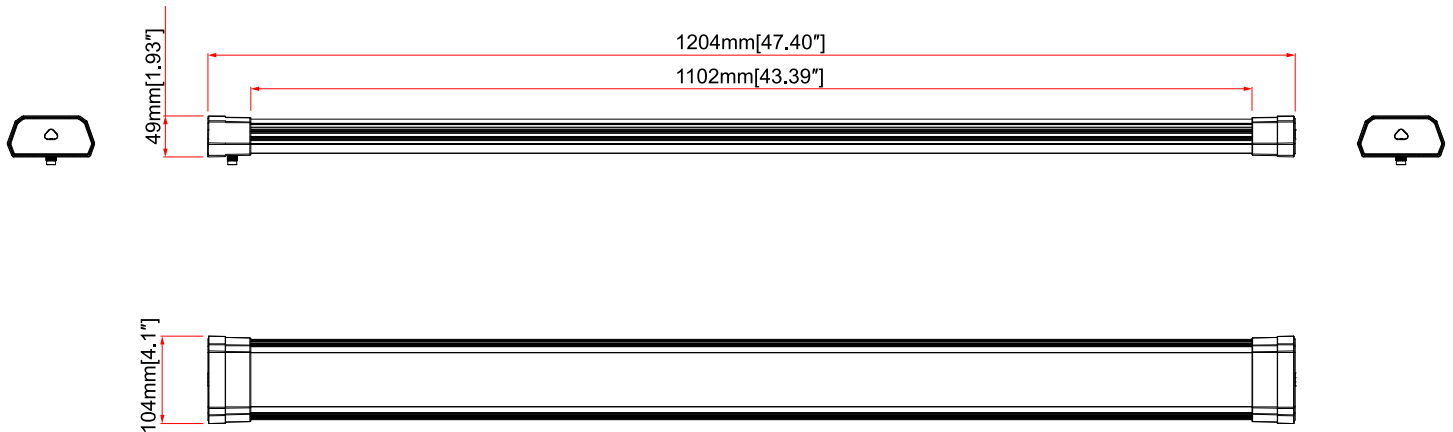
Applications

LED SHOP LIGHT series can be widely used in Office Are, Warehouses, Factories and workshops, etc.



Series	Lumens	Size(mm)	Beam Angle (Degree)	Electrical Data	LED Type	Color temperature	Color rendering index
NG-SL12-80W	10400 Lm	1200	120 degree	Input Voltage 120VAC±10% 50~60Hz Power Factor(%) >90	SMD2835 chips	WW 3000 K NW 4000 K DW 5000 K CW 5700 K	70 70 CRI 80 80 CRI 90 80 CRI
NG-SL12-100W	13000 Lm	1200					
NG-SL12-120W	15600 Lm	1200					

Size Optional Specification : 0.6m/ 0.9m/1.5m

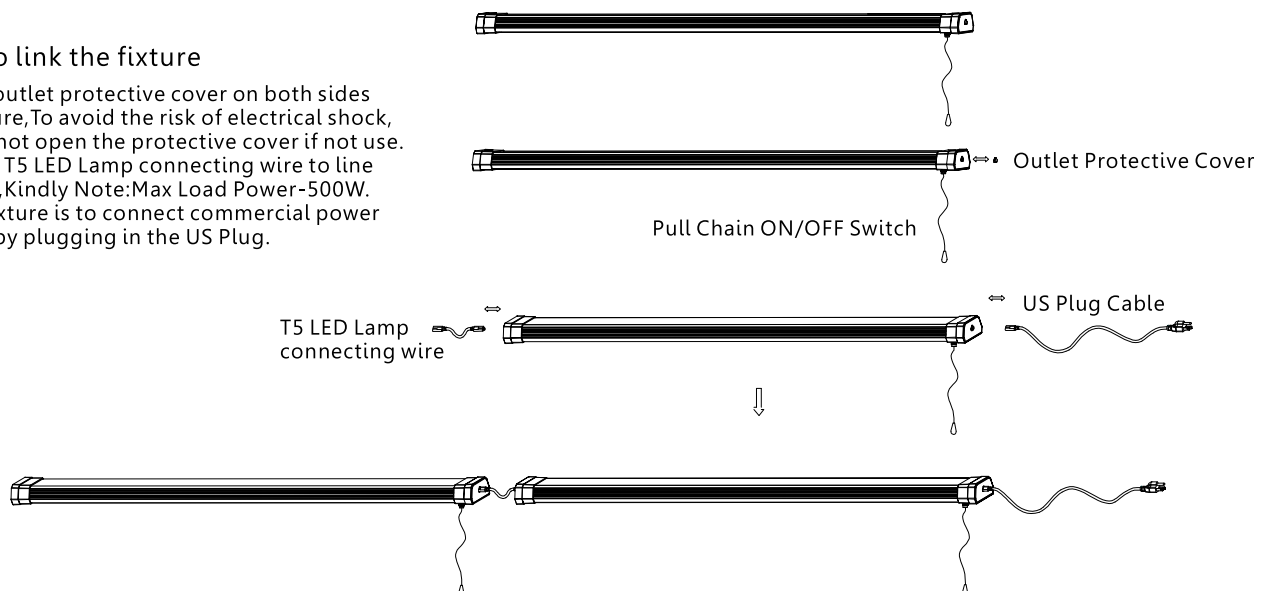


80W-120W

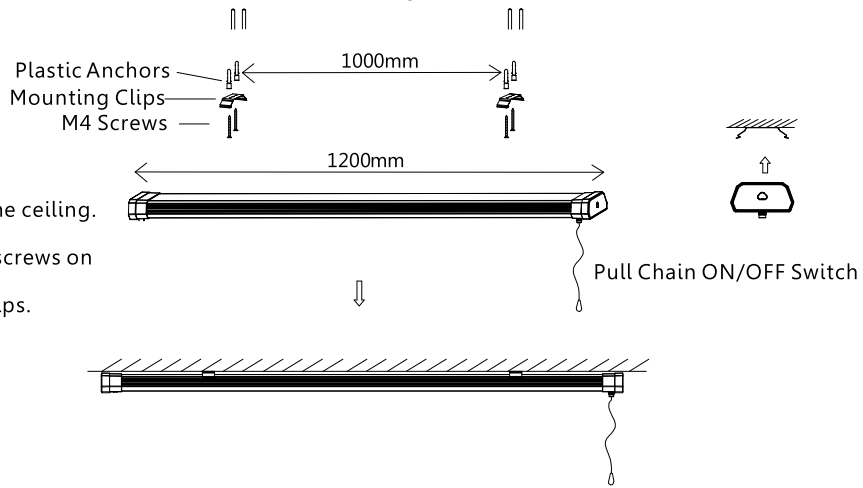
INSTALLATION INSTRUCTIONS

Method to link the fixture

1. Open the outlet protective cover on both sides of the fixture, To avoid the risk of electrical shock, Please do not open the protective cover if not use.
2. Please use T5 LED Lamp connecting wire to line the fixture, Kindly Note: Max Load Power-500W.
3. The first fixture is to connect commercial power (AC120V) by plugging in the US Plug.

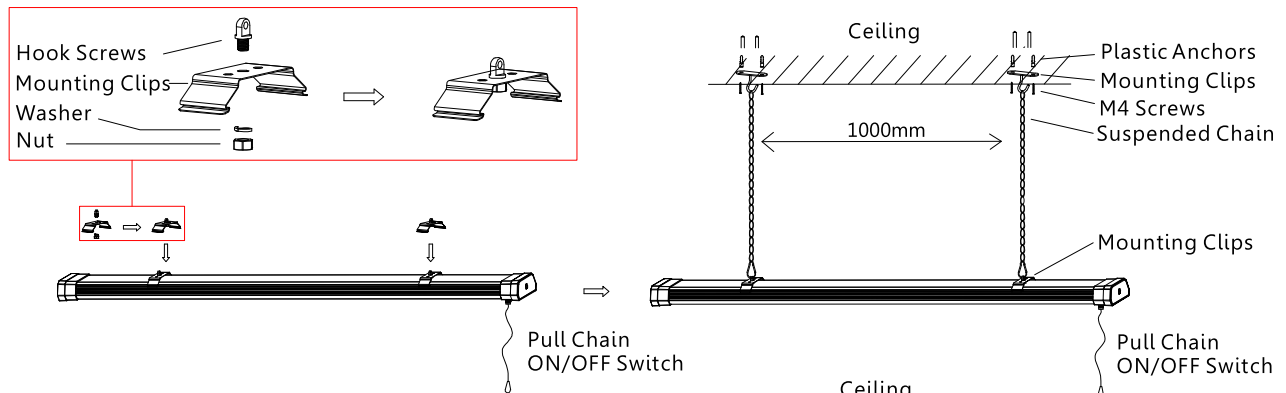


Ceiling



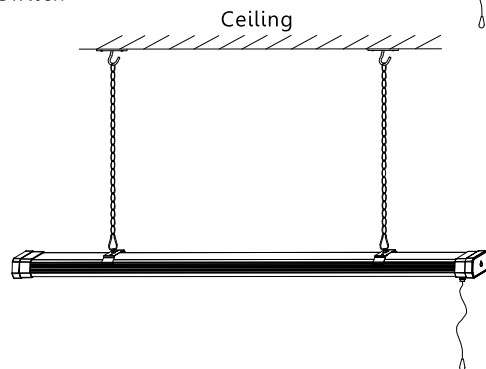
Surface/Flush Mount

1. Drill 4 holes(diameter 6mm) into the ceiling.
2. Fix the anchor into holes.
3. Screw the mounting clips with M4 screws on the ceiling
4. Fix the shop light into mounting clips.

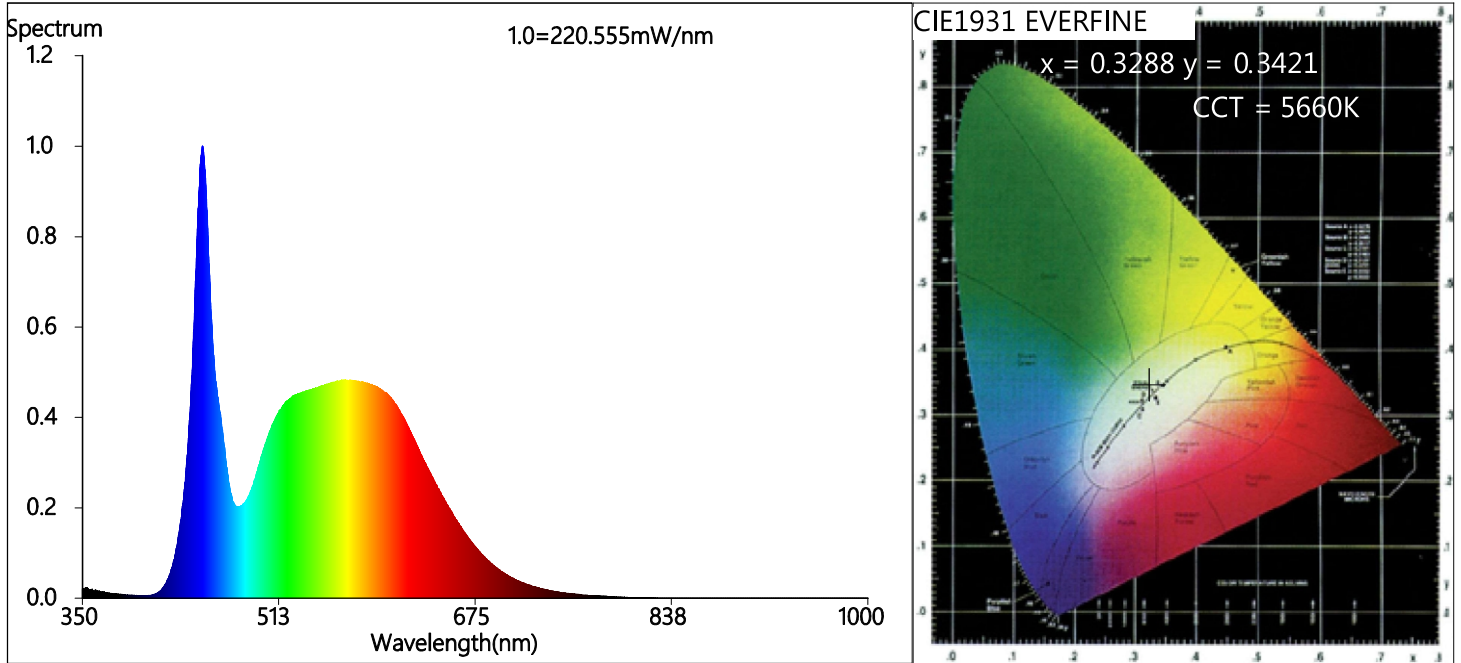


Suspended Mount

1. Install the hook screws, washers and nuts on the mounting clips.
2. Clip the mounting clips on both sides of the light tube.
3. Drill 4 holes(diameter 6mm) into the ceiling.
4. Fix the anchor into holes.
5. Fix the mounting clips with M4 screws on the ceiling.
6. Hang the clasp according to installation height you need.
7. Hook the other side of the suspend chain on the mounting clips.



80W LED SHOP LIGHT



Color Parameters :

Chromaticity Coordinate: $x=0.3288$ $y=0.3421$ $u'=0.2040$ $v'=0.4775$

CCT=5660K(Duv=0.0021) Dominant WL:Ld =520.3nm WL:Lc = --nm Purity=1.7%

Ratio:R=14.7% G=80.4% B=4.9% Peak WL:Lp=449.4nm FWHM=19.2nm

Render Index:Ra=83.7 AvgR=77.0 TM30:Rf=84 Rg=96 Lav=546.2nm

Eff(PPF)=1.62201

R1 =83	R2 =87	R3 =90	R4 =85	R5 =84	R6 =83	R7 =88		
R8 =71	R9 =12	R10=70	R11=85	R12=62	R13=84	R14=95	R15=78	

Photo Parameters :

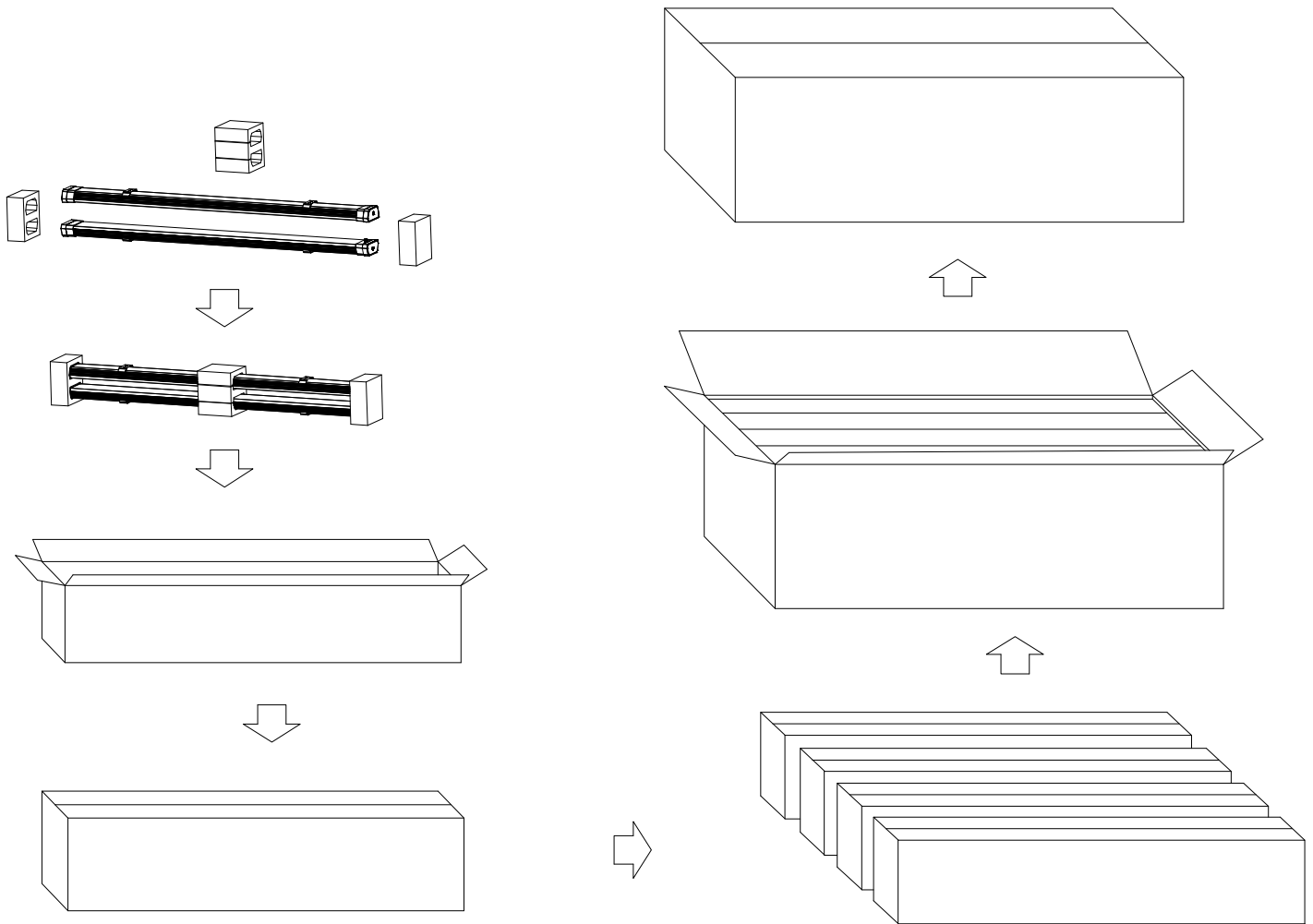
Flux =10605.2 lm Eff. :131.22lm/W Fe = 22.25 W

Photosynthetic:PPF:98.657umol/s PAR WATT:21765mW(400-700nm)

Electrical parameters :

V =119.80 V I =0.6746 A P = 80.82 W PF = 0.6817

LEVEL:OUT WHITE:ANSI_5700K



Power	Unit	Size	Grass weight	Volume
80W-120W	2PCS	1240X140X180mm	4.6Kg	0.032 m ³
	8PCS	1260X310X390mm	19.5Kg	0.153 m ³