

LED SHOP LIGHT

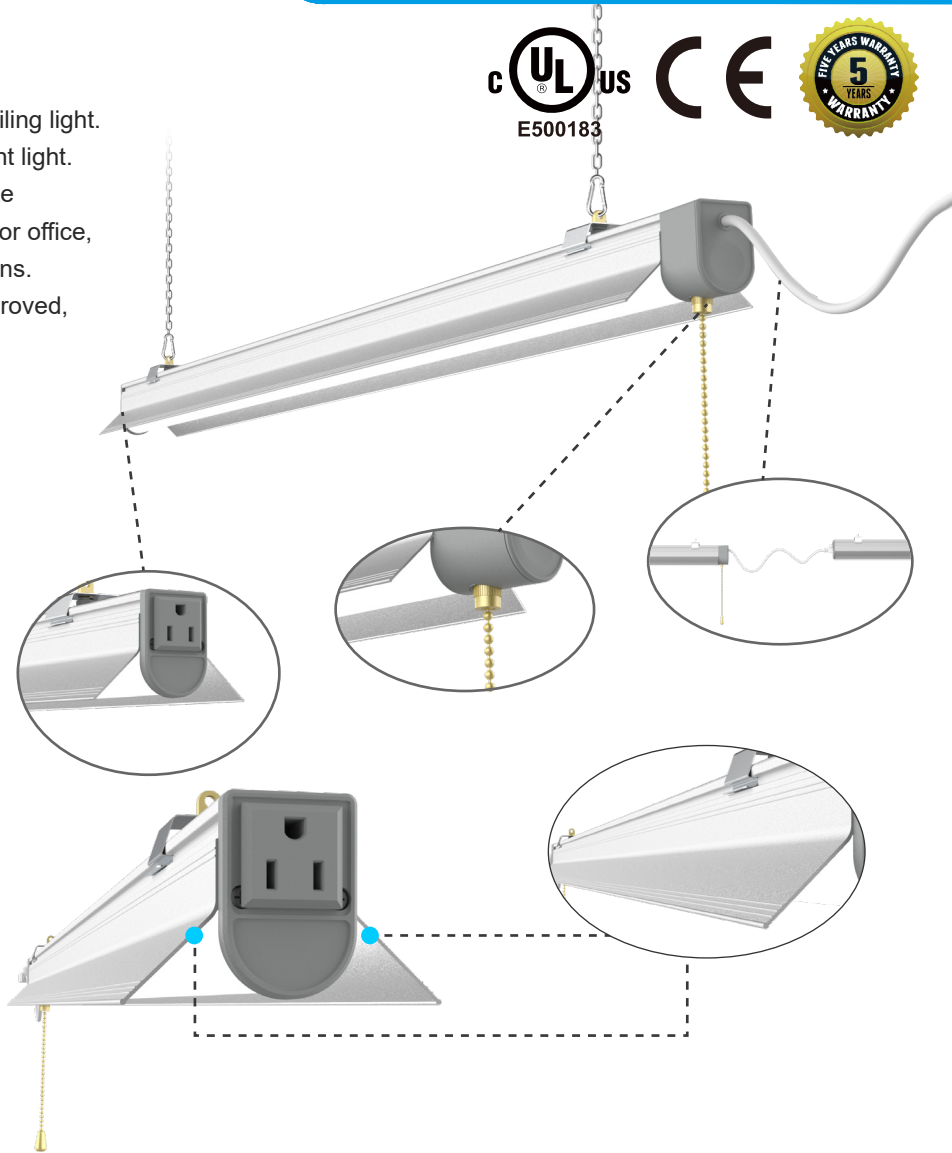
Introduction

LED Shop light 40W~80W design for indoor lighting.
 Perfect replacement for traditional tubes, high bay, ceiling light.
 Good for illuminating large work areas with consistent light.
 Light efficiency more than 130LM/W. The 5000K white color light makes works easy. The 4ft fixture is ideal for office, industrial, hospital, warehouse and school applications.
 LED Shop light is UL cUL CE safety certification approved, 5 years worry free maintenance.



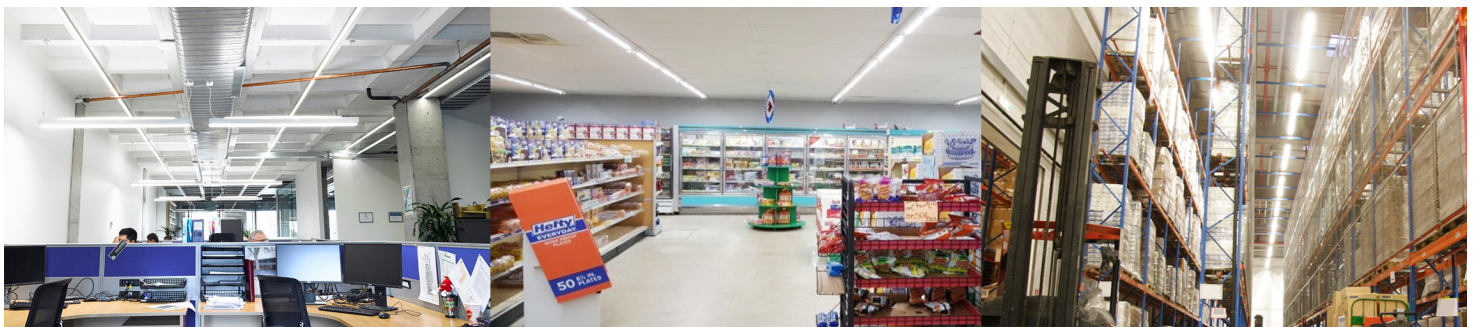
Features

- Built-in AC Linear Scheme Drive Power Supply
- 120V Input Voltage
- UL cUL CE approved
- Equipped With Pull Switch/Radar Induction Switch
- Beam Angle 120 Degree
- PC Lens Protect LED Chips From Damp Location
- Die-Casting Aluminum Heat Sink
- 6K High voltage surge test approved
- SMD2835 130LM/W Led Chips
- 50,000hrs Lifespan
- Top Brand Rubycon Capacitor
- OEM Special Design Company Logo
- No UV or IR Radiation
- No Magnetic Disturbance Driver Design



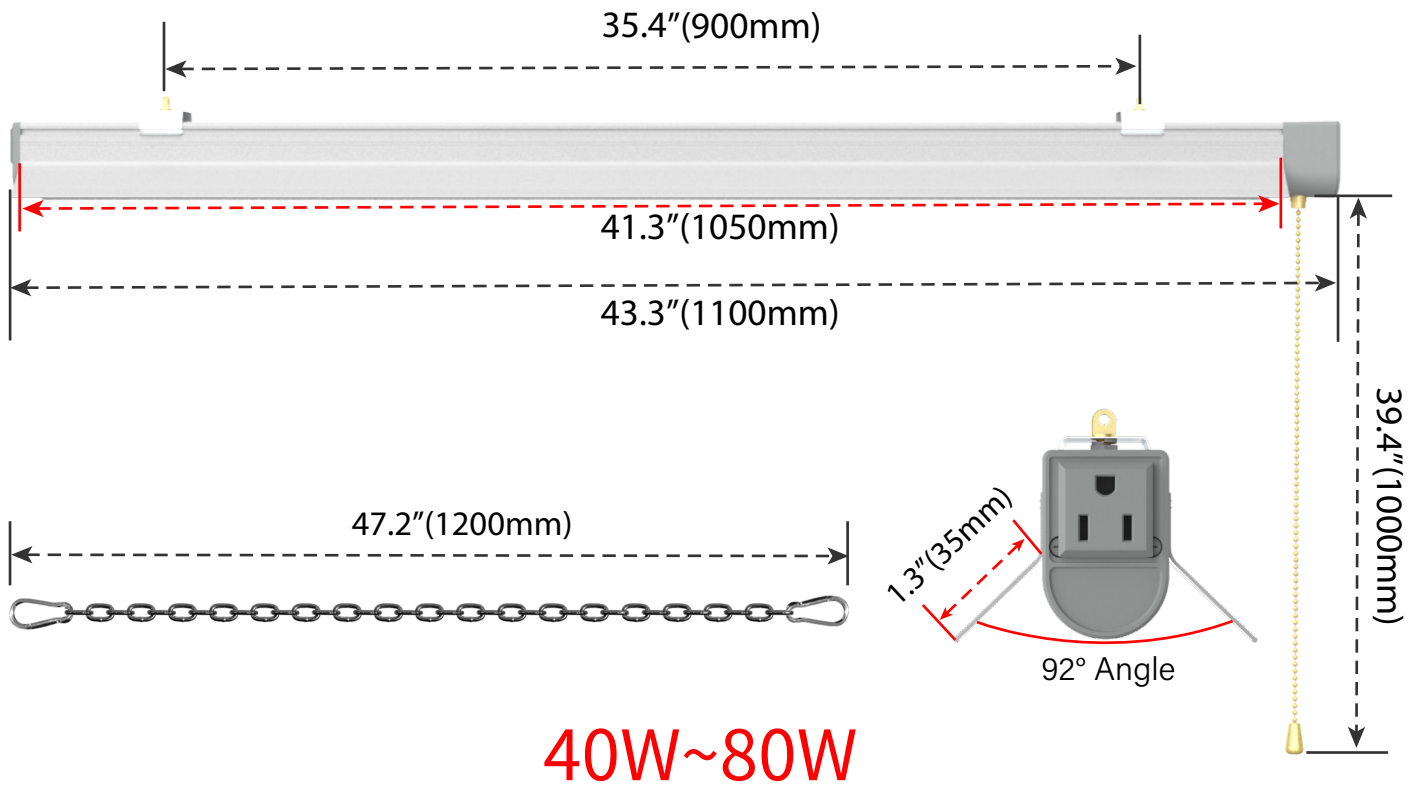
Applications

LED SHOP LIGHT series can be widely used in Office Are, Warehouses, Factories and workshops, etc.

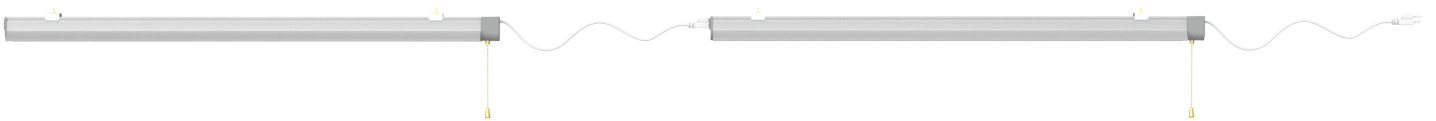


Series	Lumens	Size(mm)	Beam Angle (Degree)	Electrical Data	LED Type	Color temperature	Color rendering index
NG-ST10-40W	5200 Lm	1100	120 degree	Input Voltage AC120V 60Hz Power Factor (%) >90	SMD2835 chips	3000K 4000K 5000K 5700K	CRI ≥ 80
NG-ST10-60W	7800 Lm	1100					
NG-ST10-80W	10400 Lm	1100					

DIMENSIONS



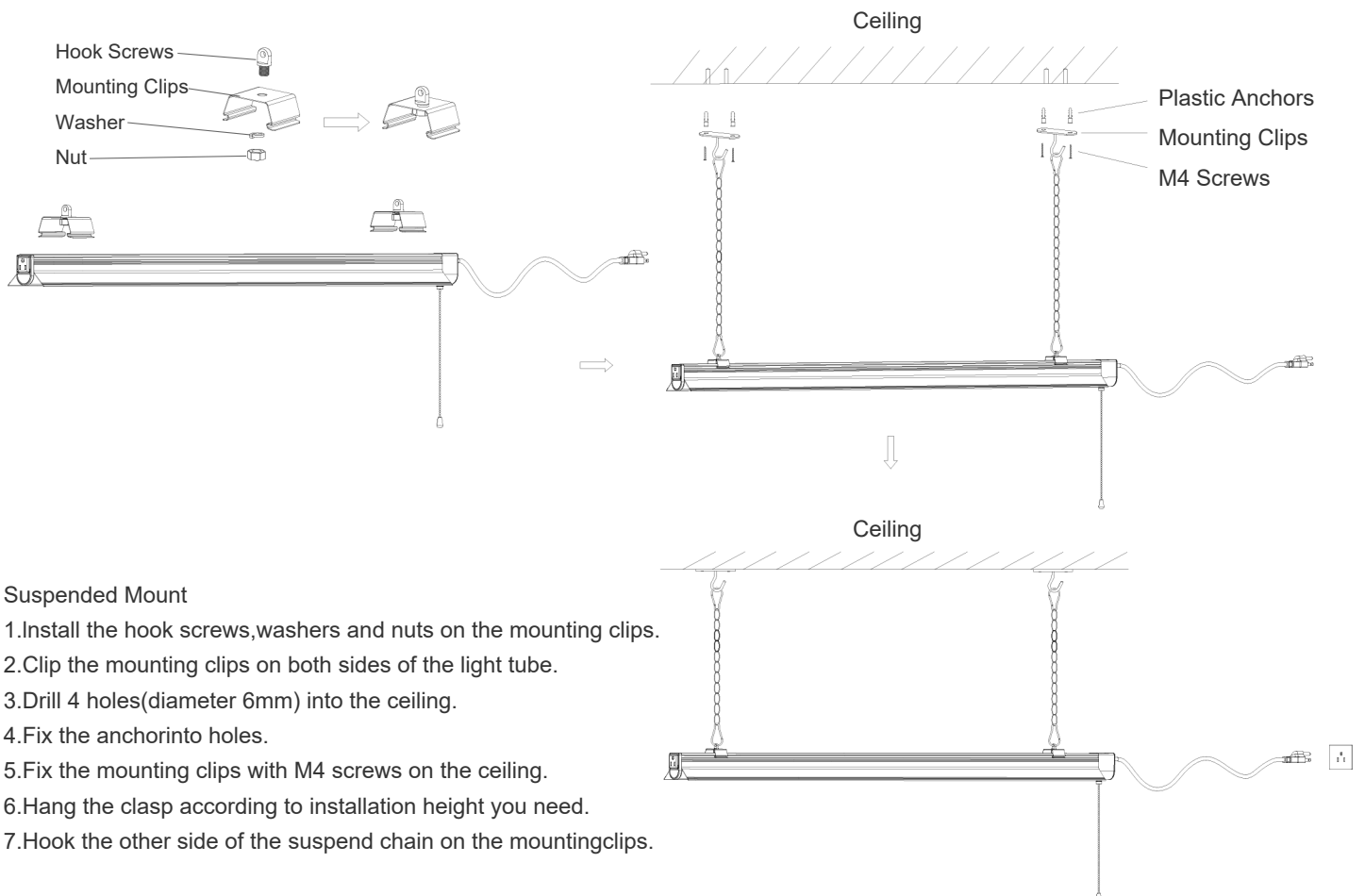
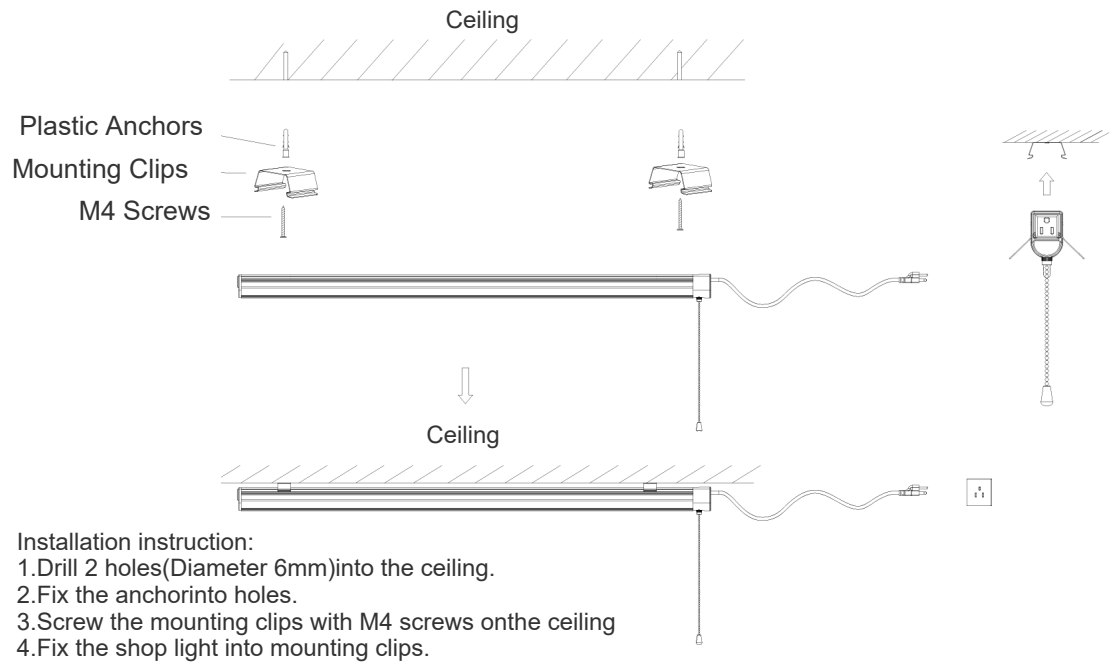
INSTALLATION INSTRUCTIONS



Link Method:

- 1.Link the light together.
- 2.Max. Link able wattage is 500W.



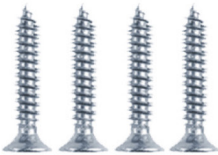




2X Buckles



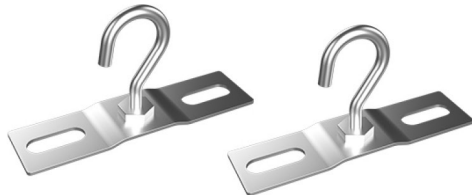
2X Hook Screw Sets



4X M4 Screws



4X Plastic Anchors



2X Mounting Clips

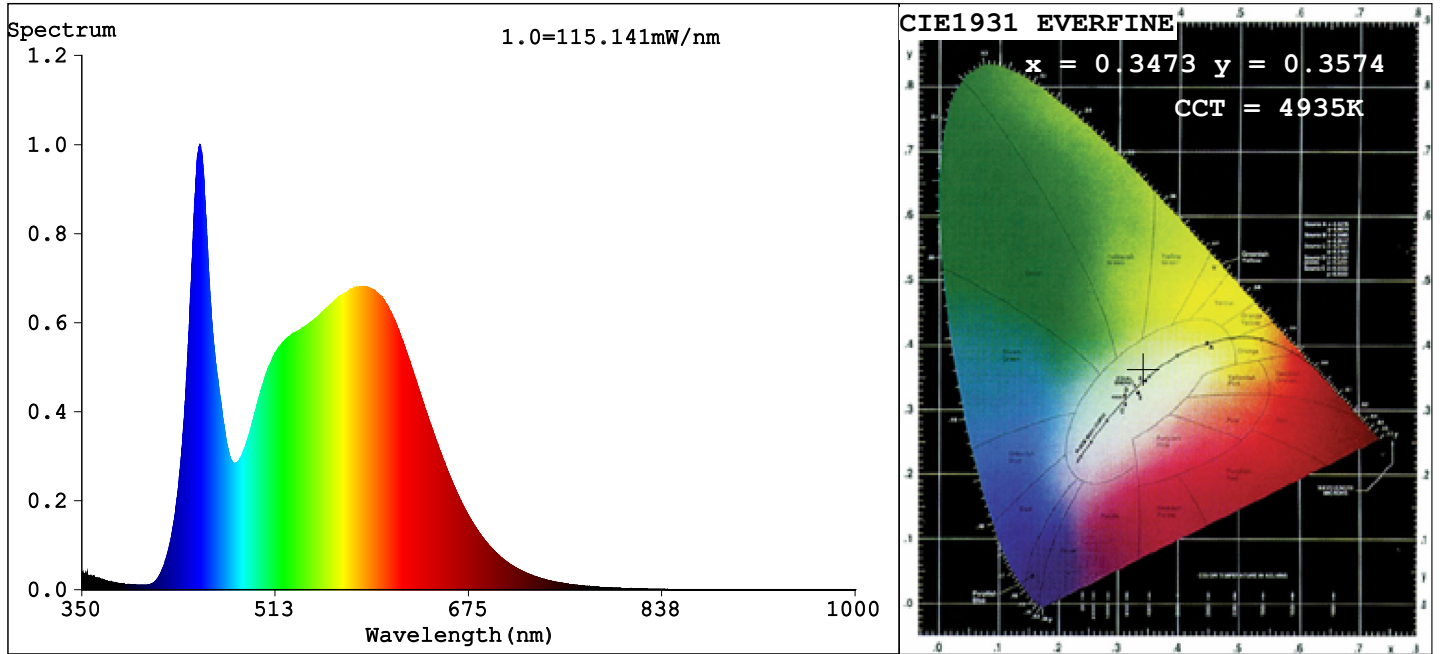


2X Suspended Chains (Length 4ft/1200mm)



1X LED shop Light

80W LED SHOP LIGHT

**Color Parameters:**

Chromaticity Coordinate: $x=0.3473$ $y=0.3574/u'=0.2107$ $v'=0.4878$
 CCT=4935K (Duv=0.0020) Dominant WL:Ld =571.6nm WL:Lc = --nm Purity=11.5%
 Ratio:R=16.0% G=79.5% B=4.6% Peak WL:Lp=449.4nm FWHM=24.4nm
 Render Index:Ra=84.0 AvgR=77.3 TM30:Rf=84 Rg=96 Lav=553.9nm

Eff (PPF)=1.05671

R1 =82 R2 =89 R3 =94 R4 =84 R5 =83 R6 =85 R7 =88
 R8 =68 R9 =10 R10=74 R11=83 R12=63 R13=84 R14=97 R15=76

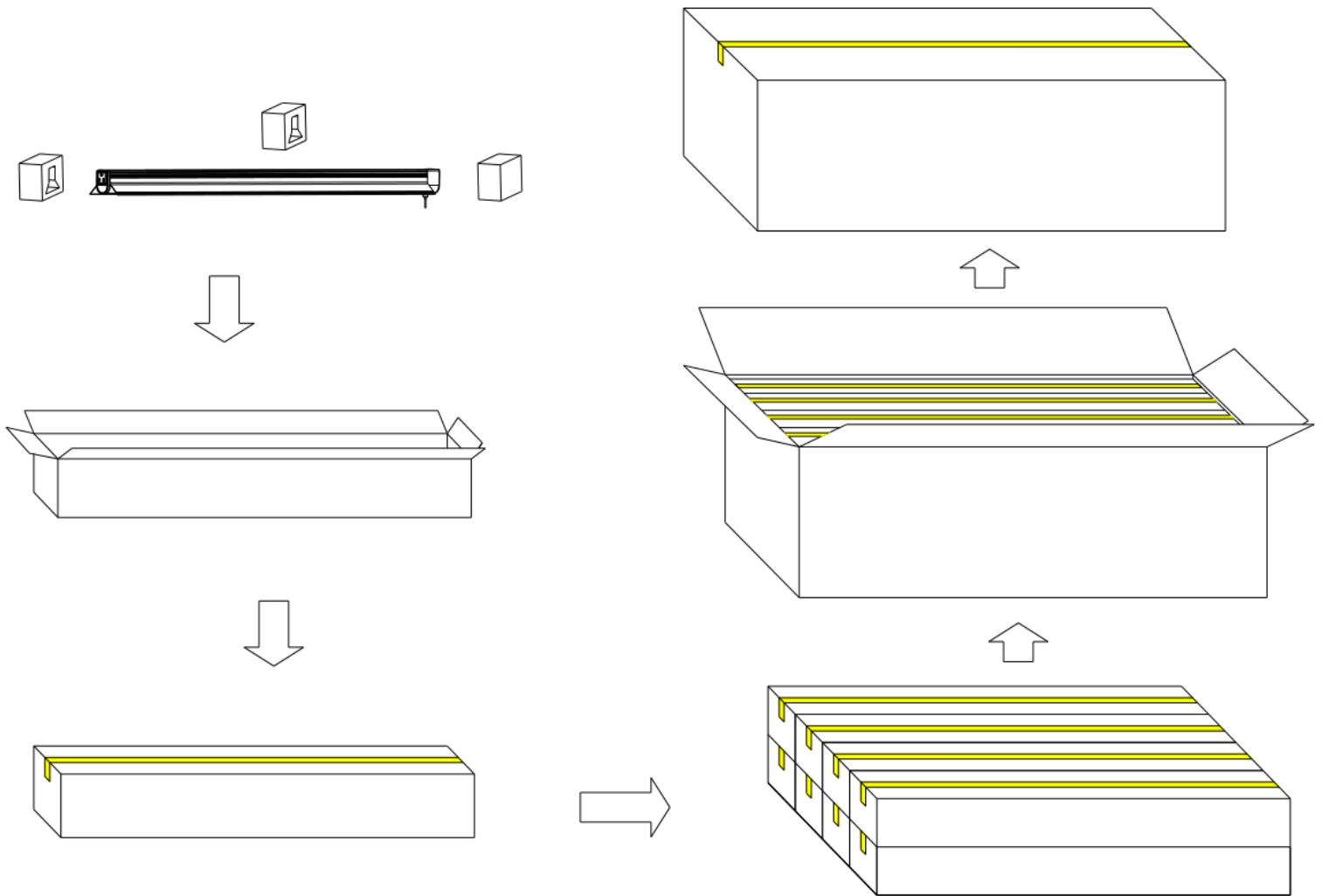
Photo Parameters:

Flux = 10404.2 lm Eff. : 131.2 lm/W Fe = 15.53 W Photosyn-
 thetic:PPF:69.354umol/s PAR WATT:15143mW(400-700nm)

Electrical parameters:

V = 119.80 V I = 0.7650 A P = 79.3 W PF = 0.7161

LEVEL:OUT WHITE:ANSI_5000K



	Qty/ctn	Material	N.W.	Box Size	G.W.
40W~80W	1	K=K	1.1 Kg	1140*125*100mm	1.6 kg
	8	K=K	9.0 Kg	1150*270*425mm	9.5 kg
40W~80W	2	K=K	2.3 Kg	1140*125*180mm	2.8 kg
	8	K=K	9.5 Kg	1150*270*390mm	10.0 kg
40W~80W	4	K=K	4.6 Kg	1140*250*185mm	5.6 kg
	8	K=K	9.5 Kg	1150*270*390mm	10.0 kg