

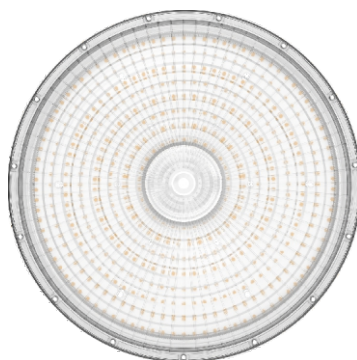
LED UFO PLUS LIGHT

LED UFO PLUS LIGHT

UFOPL-120W UFOPL-150W
 UFOPL-200W UFOPL-240W



6 ft



Features

- Super-Thin Aluminum heatsink
- Unique background lighting design
- Microwave motion sensor function
- Remote control 0~10V dimmable
- 100-277VAC input
- External or internal driver options
- SMD2835 LED Chips 140LM/W
- 6K high Voltage Surge test approved
- 120 Degree Beam Angle
- High Power Factor>0.9,Low THD Driver
- Excellent Heat Dissipation
- Energy Saving 50% At Least
- UL cUL DLC Approved
- 5 Years Warranty
- EASY INSTALLATION
- WATERPROOF AND DURABLE
- SAVING ENERGY

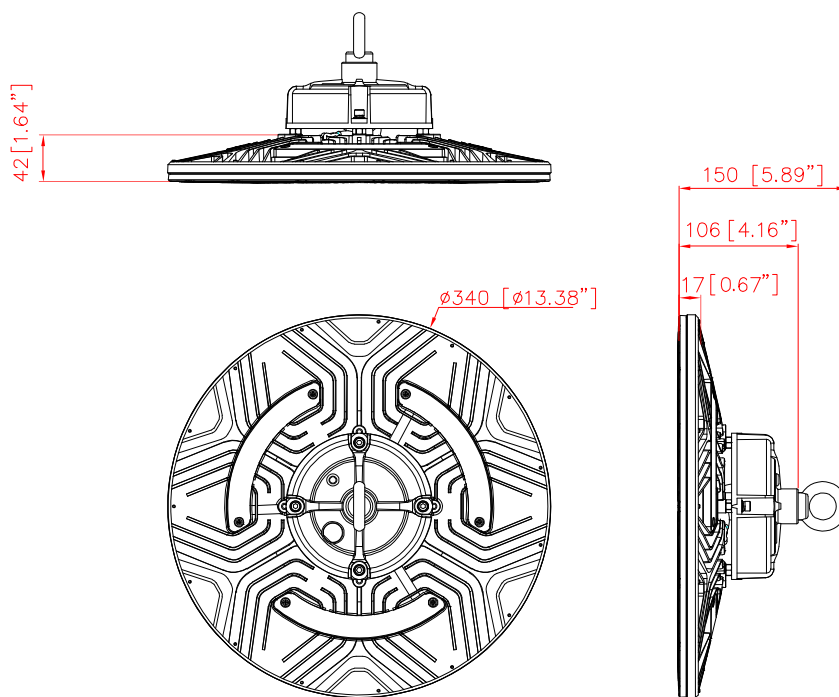
Applications

LED UFO PLUS light series can be widely used in supermarket,garage,factory,workshops,highway toll station,gas station exhibition hall,commercial and industrial lighting etc.

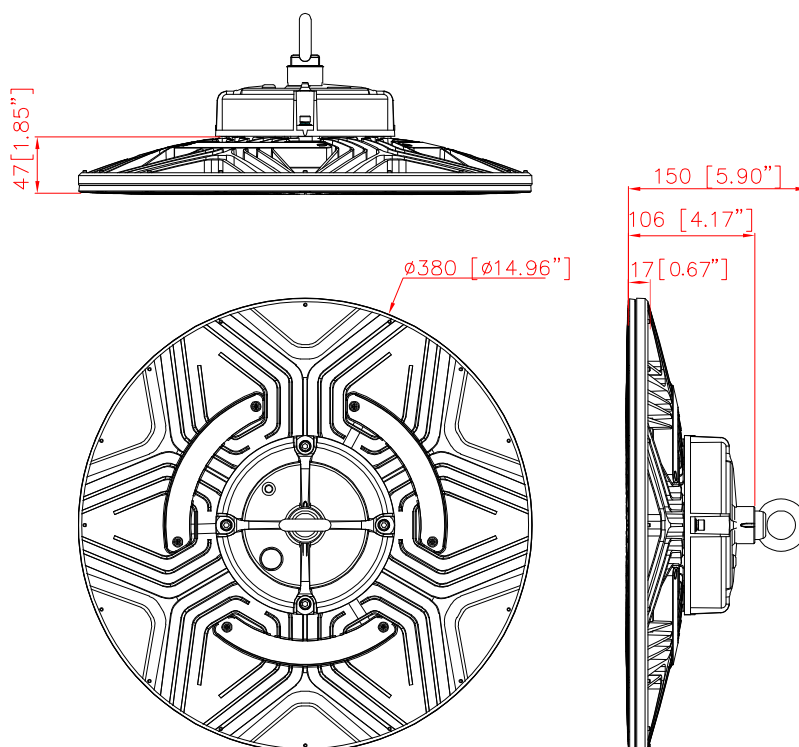


Series	Lumens	Wiring	Beam Angle (Degree)	Electrical Data	LED Type	Color temperature	Color rendering index
UFOPL-120W	16800 Lm	ACL(Black) ACN(White) GND(Green)	120 degree	Input Voltage 100-277V 50~60Hz Power Factor(%) >90	SMD 2835 Chips	WW3000 K NW 4000 K DW 5000 K CW 5700 K	70 70 CRI 80 80 CRI 90 80 CRI
UFOPL-150W	21000 Lm						
UFOPL-200W	28000 Lm						
UFOPL-240W	33600 Lm						

DIMENSIONS



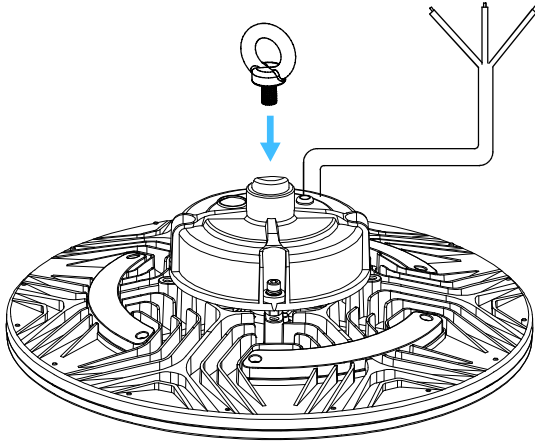
120W/150W



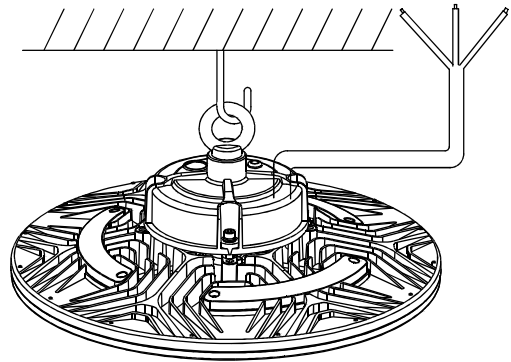
200W/240W

1. Open the box and take out the LED light and ring.

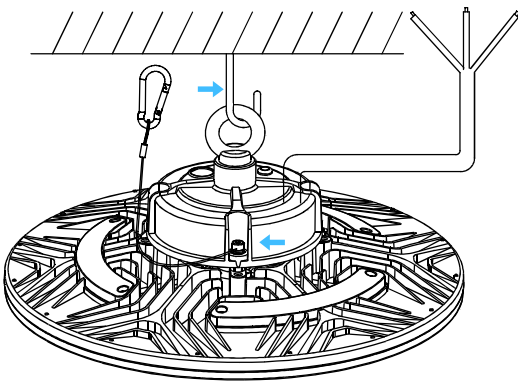
2. Install the ring into the light body as following diagram.



3. Hung the LED light with a sturdy hook.



4. Hang the safety wire one side to the lamp, another side to the sturdy hook shown by diagram.

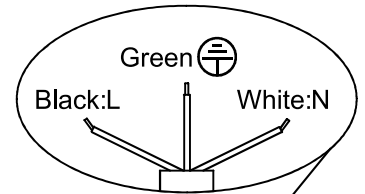


5. Connect wires as below diagram and turn on power to lighting.

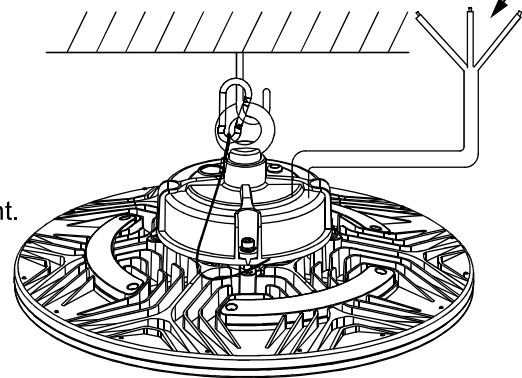
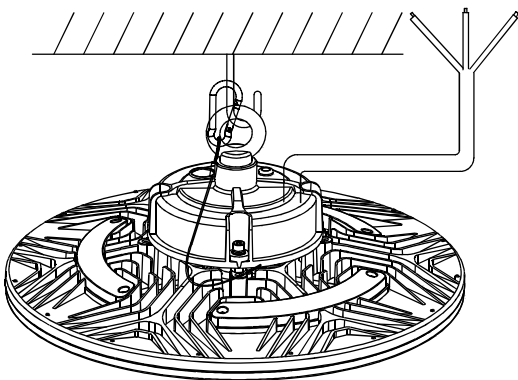
Black wire : L

Green wire: 

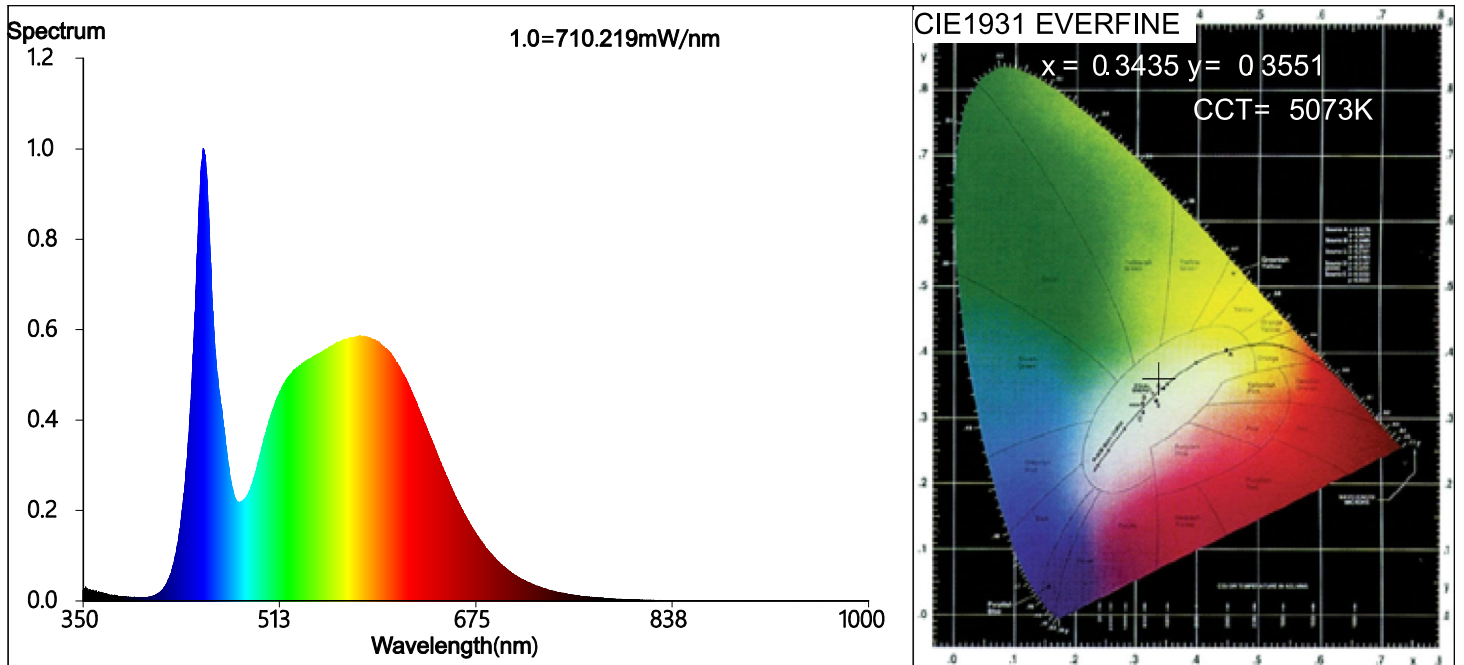
White wire : N



6. Use remote control to adjust product brightness, 0-100% adjustment.
Or use microwave induction to intelligently adjust product functions.



240W Spectrum Test Report



Color Parameters:

Chromaticity Coordinate: $x=0.3435$ $y=0.3551$ $u'=0.2090$ $v'=0.4861$

CCT=5073K(Duv=0.0024) Dominant WL:Ld =569.3nm WL:Lc = --nm Purity=9.6%

Ratio:R=15.6% G=80.1% B=4.4% Peak WL:Lp=449.4nm FWHM=20.8nm

Render Index:Ra=82.8 AvgR=75.9 TM30:Rf=83 Rg=96

R1 =81	R2 =87	R3 =91	R4 =83	R5 =82	R6 =82	R7 =87		
R8 =68	R9 =9	R10=69	R11=83	R12=62	R13=82	R14=95	R15=76	

Photo Parameters:

Flux = 33324.5 lm Eff. : 139.20 lm/W Fe = 83.35 W

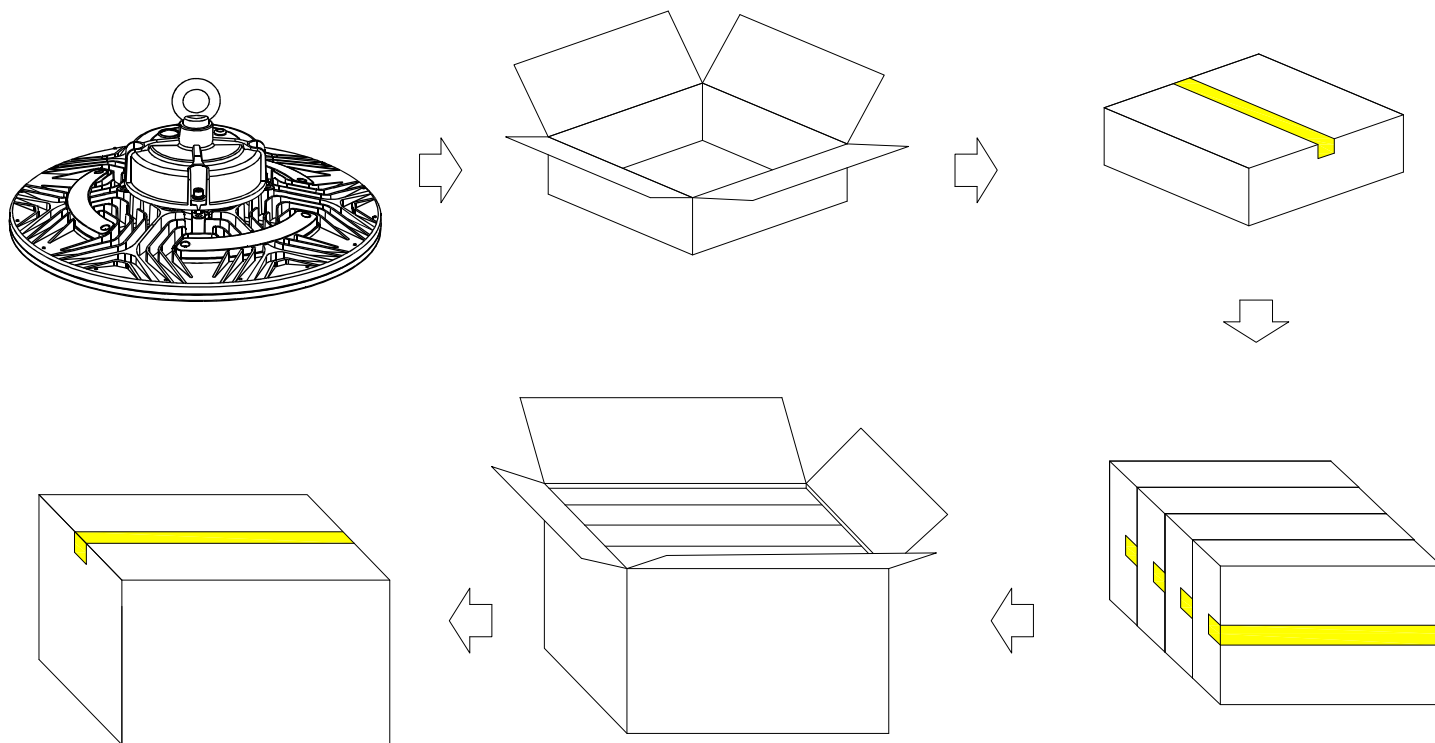
Photosynthetic:PPF:372.22 μ mol/s PAR WATT:81333mW(400-700nm)

Electrical parameters:

V = 119.86 V I = 1.999 A P = 239.4 W PF = 0.9992

LEVEL:OUT WHITE:ANSI_5000K

PACKAGE



Power	Unit	Size	Grass weight	Volume
120W/150W	1PCS	385X385X145mm	4.0 Kg	0.022m ³
	4PCS	635X405X405mm	17.5 Kg	0.104m ³

Power	Unit	Size	Grass weight	Volume
200W/240W	1PCS	425X425X135mm	5.0 Kg	0.025m ³
	3PCS	455X445X445mm	16.5 Kg	0.091m ³