

LED UFO LIGHT

**LED UFO LIGHT**

- UL and DLC certificate
- IP65 Waterproof Rating
- Easy to install and operate
- 120 degree Beam Angle lighting
- Energy saving, long service life



**Features**

- 150~240W available
- IP65 Waterproof Dust Free
- Dimmable 0-10V driver
- UL DLC Approved
- 140LM/W SMD3030 Chips
- SMD3030 LED chips
- Universal voltage AC100~277V
- 120 degree Beam Angle
- Aluminum Housing with high tech heat sink, protects the LED Driver
- 6K High voltage Surge test approved.
- Energy saving 50% at least
- 5 years warranty
- Light: 36\*36\*18CM(1pcs) 5KG 56\*38\*36CM(3pcs) 16KG
- Shield/Diffuser: 42\*42\*36CM(5pcs) 6KG

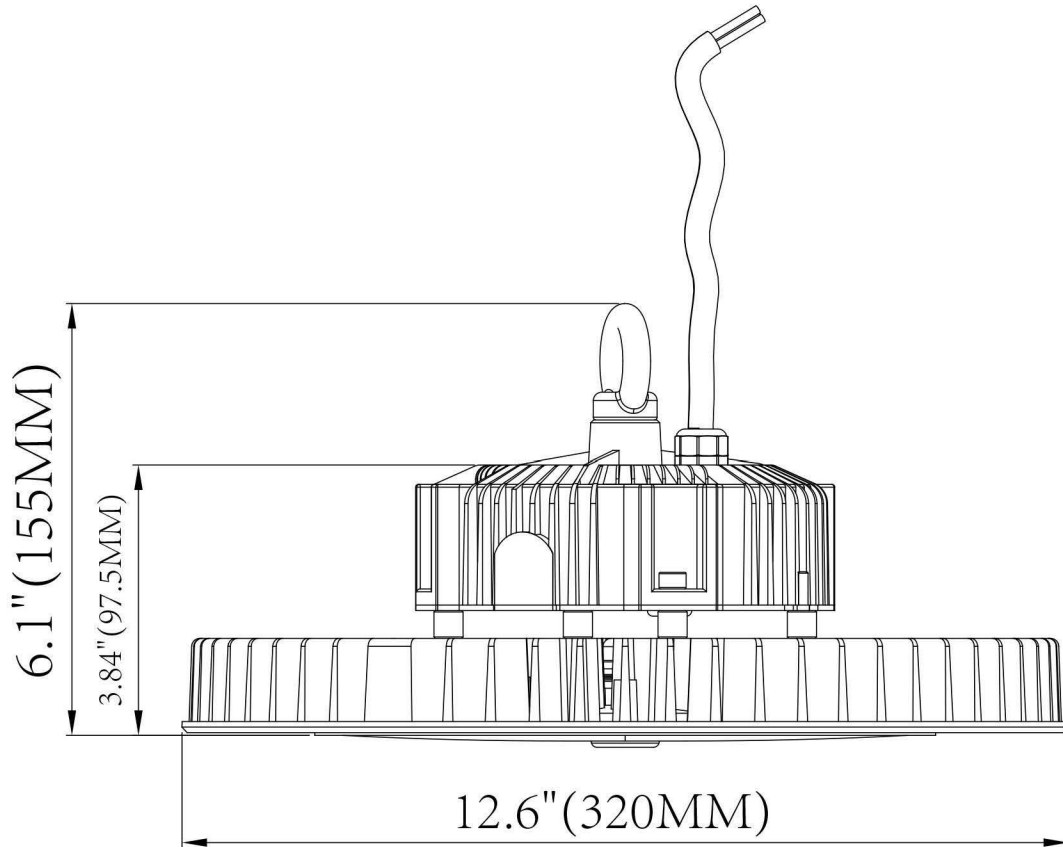


**Applications**

LED UFO Light series can be widely used in supermarket,warehouse,garage,factory,workshops, highway toll station,gas station,exhibition hall,commercial and industrial lighting etc.

Series	Lumens	Base	Beam Angle (Degree)	Electrical Data	LED Type	Color temperature	Color rendering index
UFO ~150W	21000LM	3 pin wires	120 degree	Input Voltage 100-277V 50~60Hz Total Power(W) 150W 200W Power Factor(%) >90	SMD3030 chips	WW 3000 K	70 70 CRI
UFO ~200W	28000LM					NW 4000 K	80 80 CRI
UFO ~240W	33600LM					DW 5000 K	90 90 CRI
						CW 5700 K	

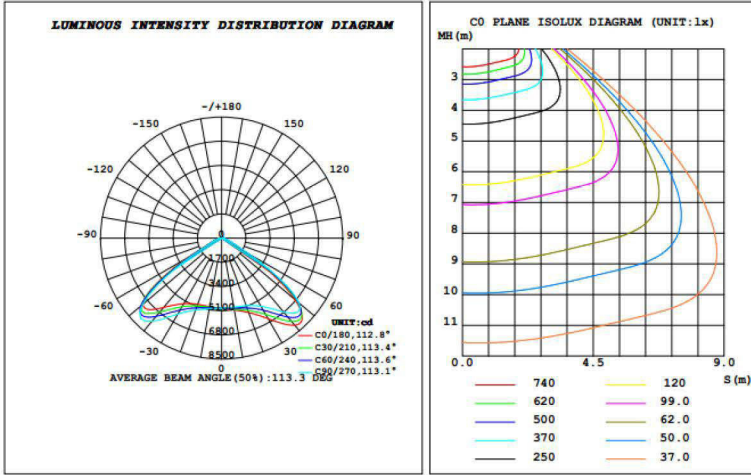
DIMENSIONS



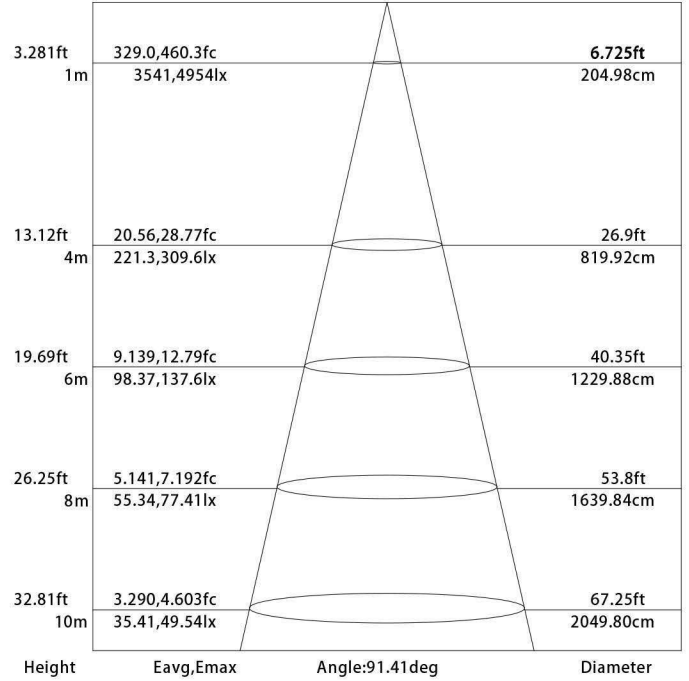
**150W, 200W, 240W**

## PHOTOMETRIC TEST REPORT

DATA OF LAMP		PHOTOMETRIC DATA			
MODEL NG-JFO150W-5700K-120°		Imax (cd)	8188	S/MH (C0/180)	1.85
NOMINAL POWER (W)	150	LOR (%)	100.0	S/MH (C90/270)	1.91
RATED VOLTAGE (V)	220	TOTAL FLUX (lm)	20726	η UP, DN (C0-180)	1.3, 47.5
NOMINAL FLUX (lm)	20726.3	CIE CLASS	DIRECT	η UP, DN (C180-360)	1.5, 49.7
LAMPS INSIDE	1	η up (%)	2.8	CIBSE SHR NOM	1.75
TEST VOLTAGE (V)	220.3	η down (%)	97.2	CIBSE SHR MAX	1.75

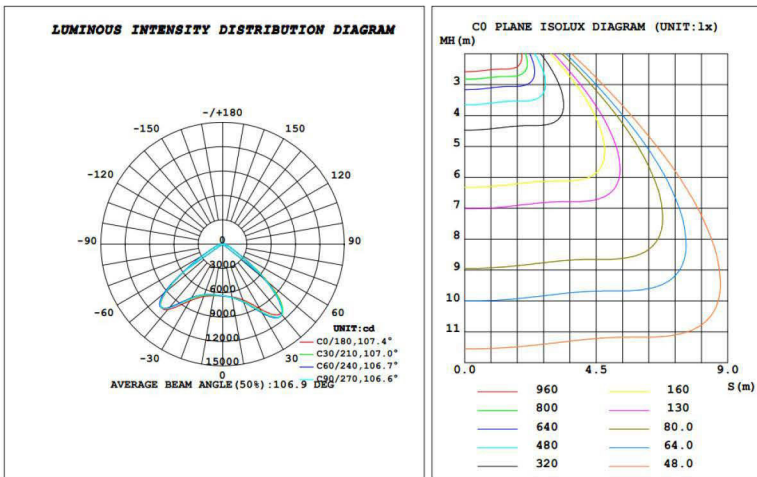


Flux out:11930 lm

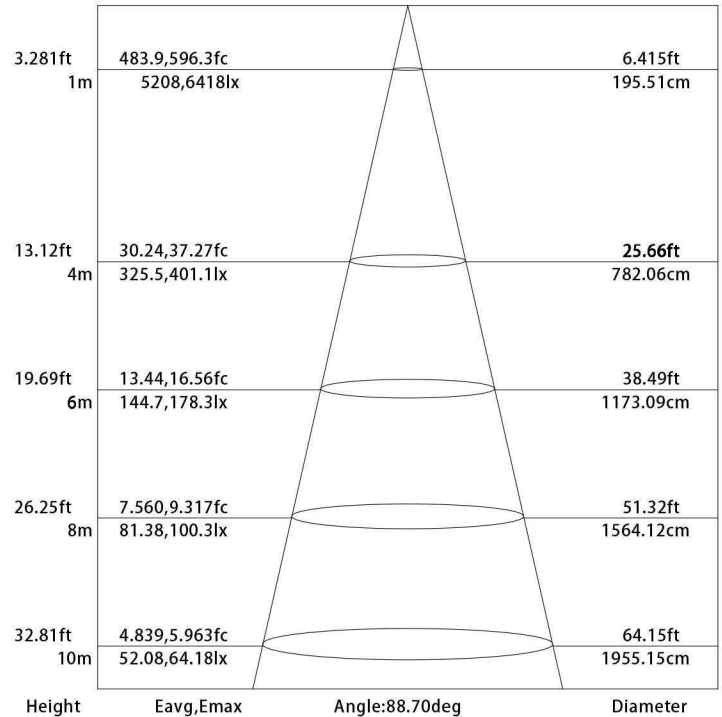


Note: The Curves indicate the illuminated area and the average illumination when the luminaire is at different distance.

DATA OF LAMP		PHOTOMETRIC DATA			
MODEL NG-JFO200W-5700K-120°		Imax (cd)	11405	S/MH (C0/180)	1.77
NOMINAL POWER (W)	200	LOR (%)	100.0	S/MH (C90/270)	1.74
RATED VOLTAGE (V)	220	TOTAL FLUX (lm)	27498	η UP, DN (C0-180)	1.3, 47.9
NOMINAL FLUX (lm)	25364	CIE CLASS	DIRECT	η UP, DN (C180-360)	1.4, 49.4
LAMPS INSIDE	1	η up (%)	2.7	CIBSE SHR NOM	1.25
TEST VOLTAGE (V)	220.3	η down (%)	97.3	CIBSE SHR MAX	1.30



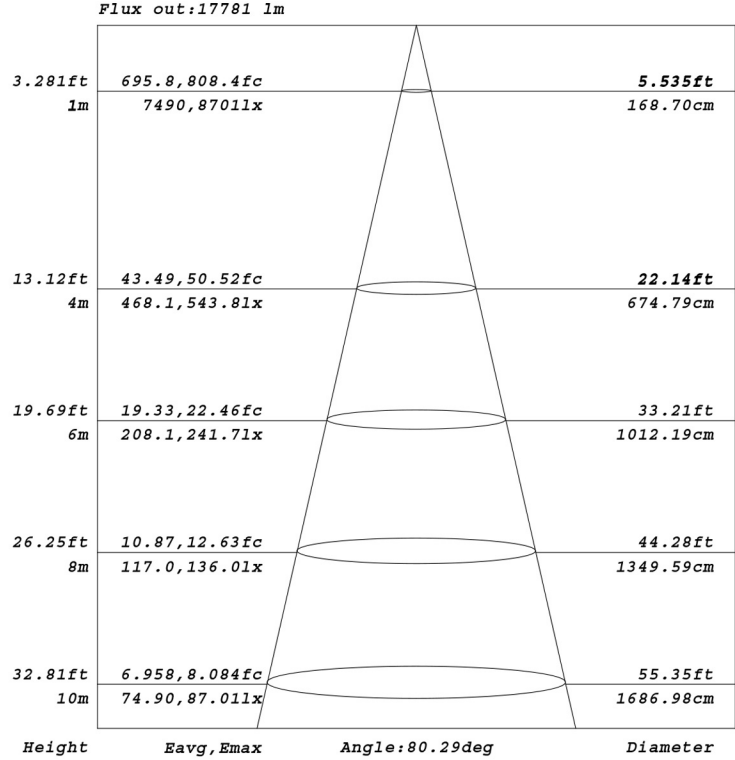
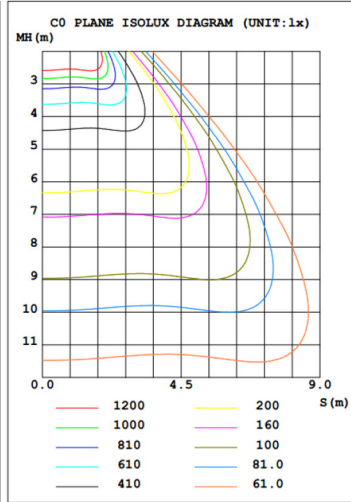
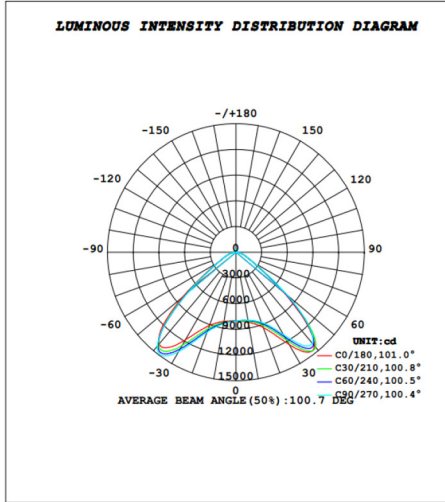
Flux out:16362 lm



Note: The Curves indicate the illuminated area and the average illumination when the luminaire is at different distance.

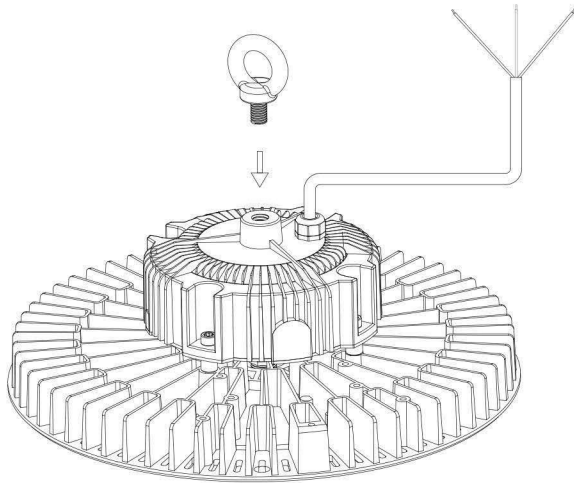
## PHOTOMETRIC TEST REPORT

DATA OF LAMP		PHOTOMETRIC DATA Eff: 137.50 lm/W			
MODEL NG-UFO240W-5700K-120°		I <sub>max</sub> (cd)	14933	S/MH (C0/180)	1.67
NOMINAL POWER (W)	240	LOR (%)	100.0	S/MH (C90/270)	1.70
RATED VOLTAGE (V)	220	TOTAL FLUX (lm)	33028	η UP, DN (C0-180)	1.3, 47.3
NOMINAL FLUX (lm)	33028.2	CIE CLASS	DIRECT	η UP, DN (C180-360)	1.4, 50.0
LAMPS INSIDE	1	η up (%)	2.8	CIBSE SHR NOM	1.00
TEST VOLTAGE (V)	220.3	η down (%)	97.2	CIBSE SHR MAX	1.10

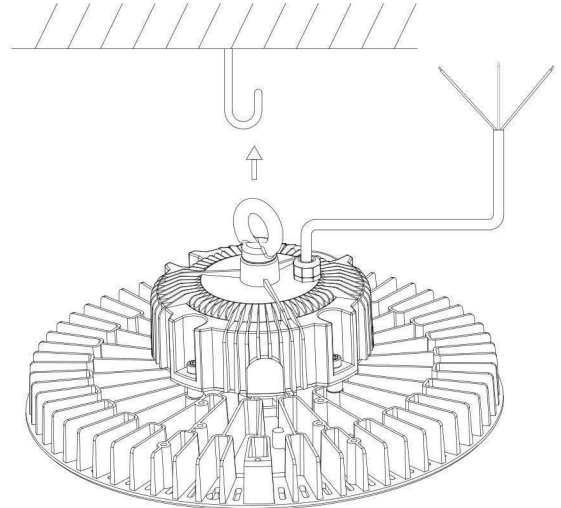


Note: The Curves indicate the illuminance at various angles at illumination when the luminaires are at different heights.

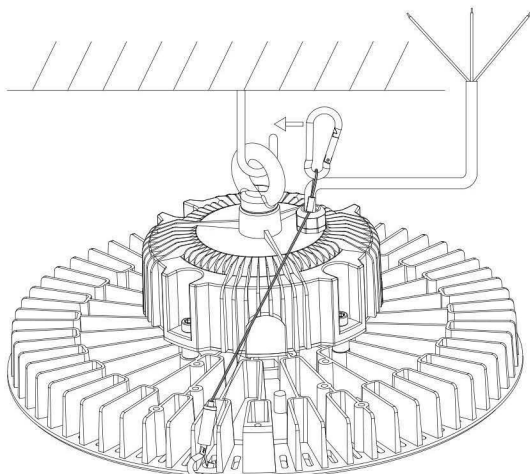
1. Open outer box take out light and ring.
2. Install ring in the light body according to the diagram.  
Installed the ring with light must reliable.



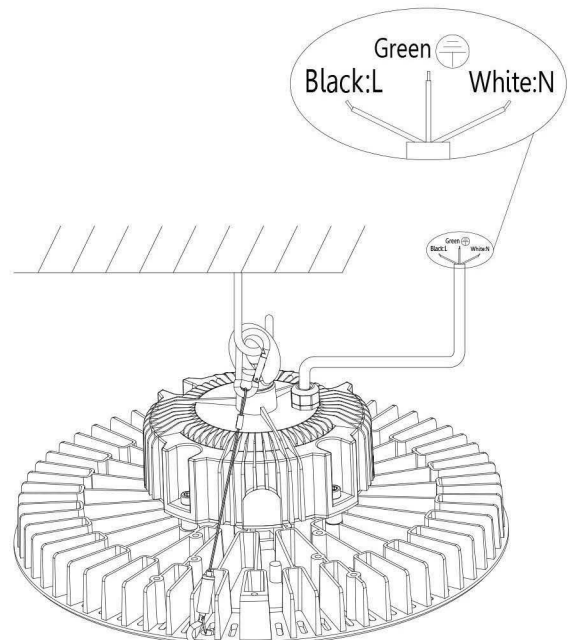
3. Install ring in sturdy hook.

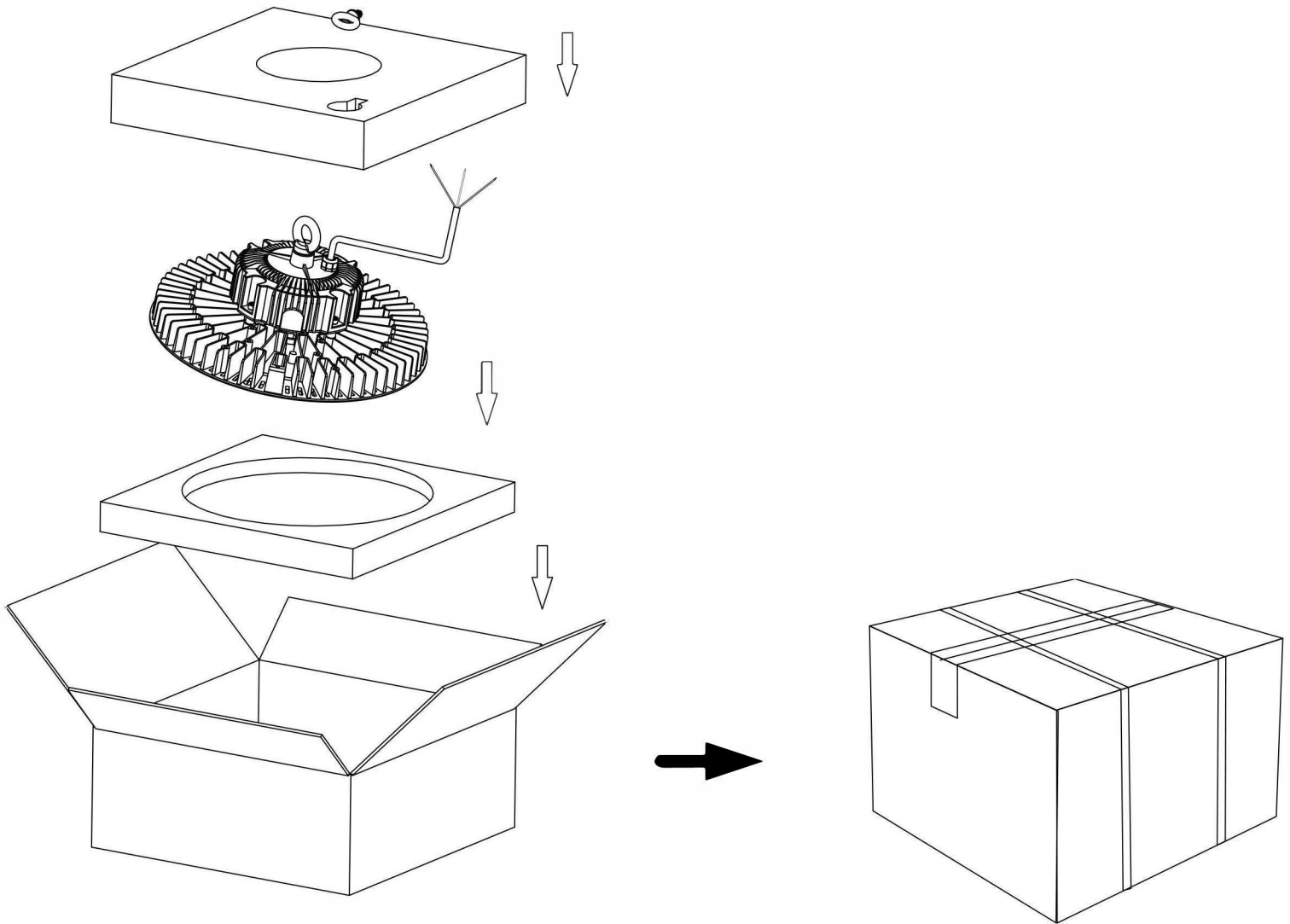


4. Hang the safety wire one side in the lamp body, another side hang in sturdy hook shown by diagram.



5. Wiring by below diagram  
Black wire connect L  
Green wire connect  
White wire connect  
**Turn on the power to lighting.**





APPLICATIONS

