

LED UV FLOOD LIGHT

Model No: UV-80W
 UV-100W UV-150W-
 EASY INSTALLATION
 WATERPROOF AND DURABLE
 SAVING ENERGY
 HEIGHTEN ATMOSPHERE
 NO POWER DESIGN



Features

- Universal voltage AC120V±10% 50-60Hz.
- Products without power supply design, using high voltage linear design, stable quality, long life.
- Light source SMD3030 design, increase the LED luminous surface, more conducive to LED heat dissipation.
- Shell of the lamp is made of die-casting aluminum with high thermal conductivity and good heat dissipation effect
- Compact structure, corrosion resistant, IP65 waterproof rating.
- Simple installation, convenient disassemble, wide range of application.

Using Tips

- Linear UV floodlight, only suitable for AC120V±10% of the country or region use;
- In the handling/storage, please pay attention to handle gently, do not heavy pressure, do not break.
- When installing lamps and lanterns, the wiring place should be insulated to prevent electricity leakage.
- Maintenance/repair/replacement of LED lamps, please turn off the power;
- Can not be used in flammable, explosive, high temperature, water leakage and corrosive places.
- Installation please find a professional electrician to install.
- The lamps and lanterns should be repaired or replaced by professional personnel in case of failure.

Product installation instructions:

- (1) Drill holes in the location you want to install with reference to the mounting wall.
- (2) Screw the mounting wall arm to the upper hole position.
- (3) Adjust the screw of the mounting arm according to the Angle you need, make it rotate to the Angle you need, tighten the screw.
- (4) Plug the product's plug wire into the prepared plug bar, confirm OK, and turn on the switch.
- (5) You can use fluorescent tape to paste the luminescent surface of the lamp to make the product emit different atmospheric brightness.

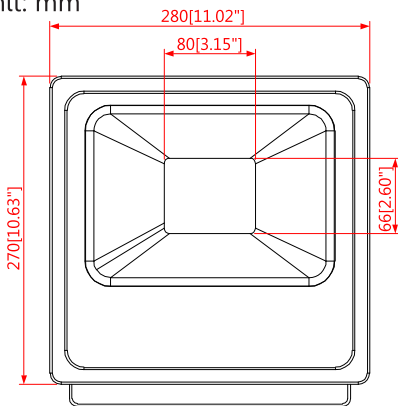


Attention:

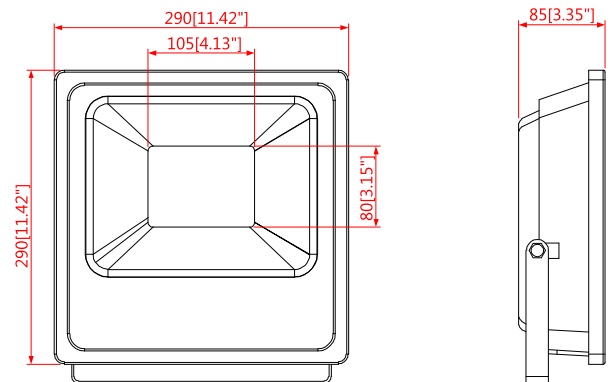
- (1) Please take it easy, don't stress, don't hit.
- (2) When installing lamps, the wiring should be insulated to prevent leakage of electricity.
- (3) Can not be used in flammable, explosive, high temperature and corrosive places.
- (4) Please repair or replaced by professional electrician avoid any failure caused.

Drawing

Unit: mm



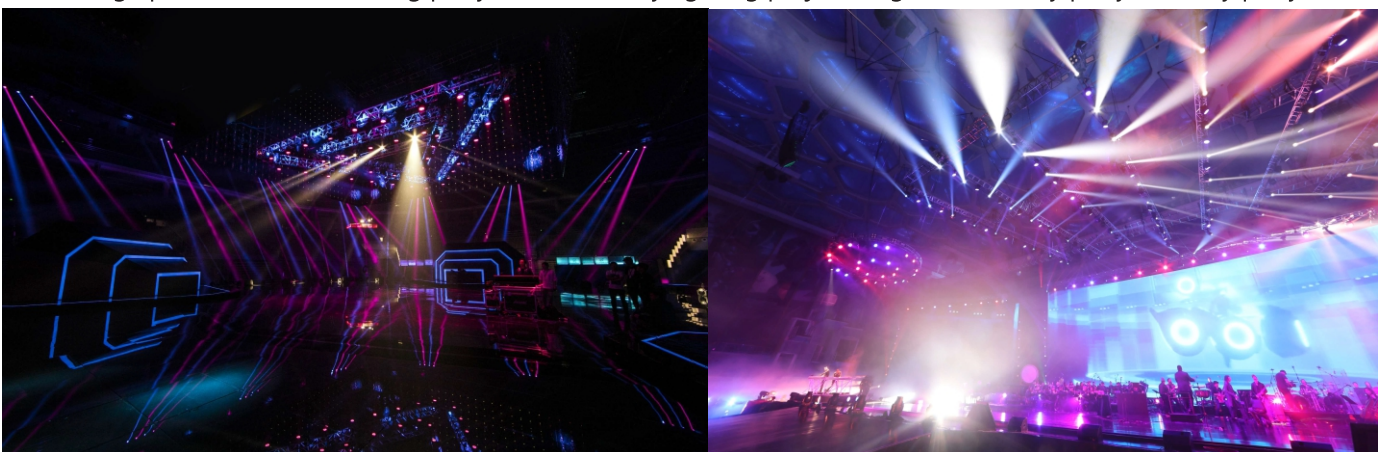
80W/100W



150W

Application

Grand stage performance & Evening party & Bar KTV, City lighting project, Stage/Club, Family party/Birthday party etc.



Parameters

UV-80W					
Data sheet		Min	Typical	Max	Unit
Electrical parameters	Input Voltage(Vin)	108	120	132	(V)AC
	Input Current(Iin)	360	380	400	mA
	Input Frequency(F)	47	60	64	Hz
	Total Power(P)	40	43.2	48	W
	Power Factor(Pf)	0.94	0.95	0.96	—
	Operating Temperature(To)	-20	25	50	°C
	Working Humidity(Hop)	50	75	90	%RH
	IP Level(IP)	—	66	—	—
	Work Noise(DB)	0	0	0	DB
	Luminous Flux	44	46.35	50	Lm
	Beam Angle	/	120	/	°
	Life Time	/	50000	/	H
	Warranty	—	1	—	Year

UV-100W					
Data sheet		Min	Typical	Max	Unit
Electrical parameters	Input Voltage(Vin)	108	120	132	(V)AC
	Input Current(Iin)	360	420	450	mA
	Input Frequency(F)	47	60	64	Hz
	Total Power(P)	40	47.7	53	W
	Power Factor(Pf)	0.94	0.95	0.96	—
	Operating Temperature(To)	-20	25	50	°C
	Working Humidity(Hop)	50	75	90	%RH
	IP Level(IP)	—	66	—	—
	Work Noise(DB)	0	0	0	DB
	Luminous Flux	48	50.8	53	Lm
	Beam Angle	/	120	/	°
	Life Time	/	50000	/	H
	Warranty	—	1	—	Year

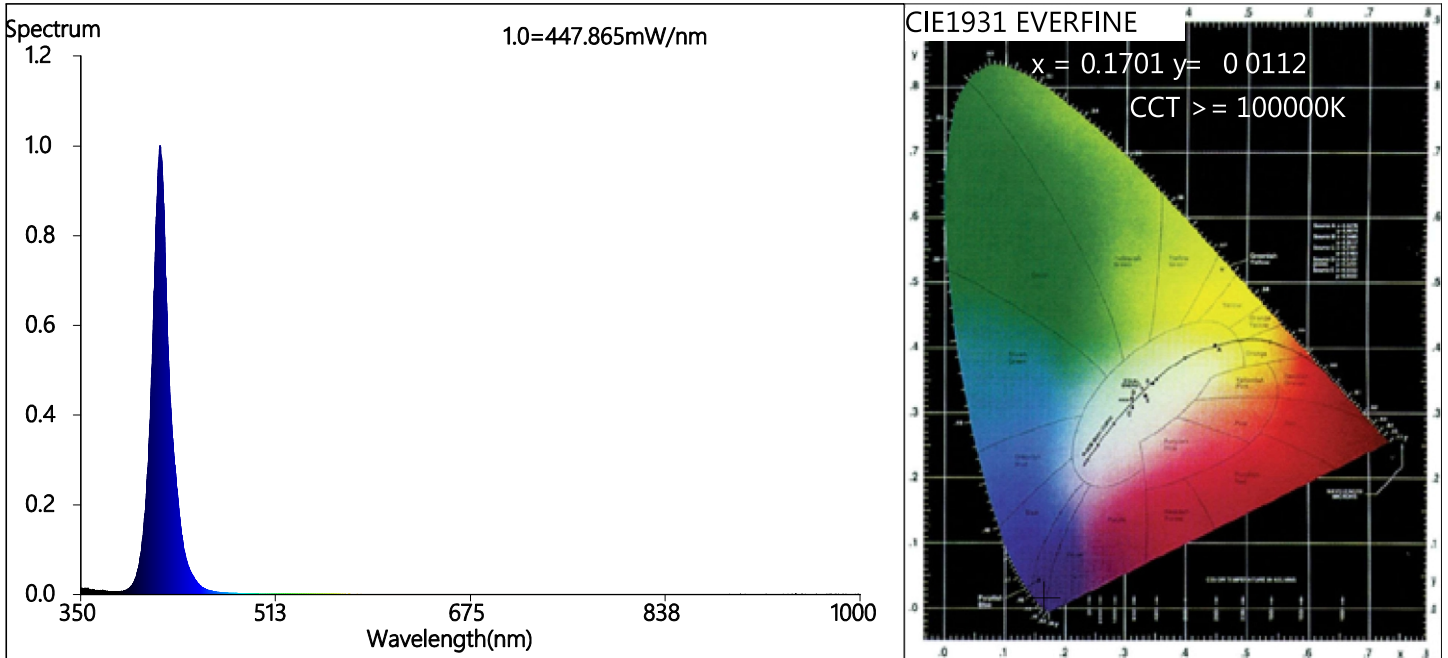
UV-150W					
Data sheet		Min	Typical	Max	Unit
Electrical parameters	Input Voltage(Vin)	108	120	132	(V)AC
	Input Current(Iin)	600	630	670	mA
	Input Frequency(F)	47	60	64	Hz
	Total Power(P)	66	71.2	77	W
	Power Factor(Pf)	0.94	0.95	0.96	—
	Operating Temperature(To)	-20	25	50	°C
	Working Humidity(Hop)	50	75	90	%RH
	IP Level(IP)	—	66	—	—
	Work Noise(DB)	0	0	0	DB
	Luminous Flux	62	66.6	71	Lm
	Beam Angle	/	120	/	°
	Life Time	/	50000	/	H
	Warranty	—	1	—	Year

Light source specification parameters

	Model	Specifications	Chip/Size	Color Temperature Wavelength(K/nm)	Number (PCS)
80W	UVC 3030	1W	1734X2 120°C	400-410	64
100W	UVC 3030	1W	1734X2 120°C	400-410	64
150W	UVC 3030	1W	1734X2 120°C	400-410	96

TEST DATA

80W Spectrum Test Report



Color Parameters:

Chromaticity Coordinate: $x=0.1701$ $y=0.0112/u'=0.2436$ $v'=0.0360$
 CCT=100000K(Duv=-0.2500) Dominant WL:Ld =431.6nm WL:Lc = --nm Purity=98.8%
 Ratio:R=3.6% G=29.4% B=67.1% Peak WL:Lp=415.9nm FWHM=14.2nm
 Render Index:Ra=6.1 AvgR=8.2 TM30:Rf=0 Rg=10

R1 =25	R2 =0	R3 =0	R4 =0	R5 =24	R6 =0	R7 =0	
R8 =0	R9 =0	R10=0	R11=0	R12=0	R13=19	R14=0	R15=55

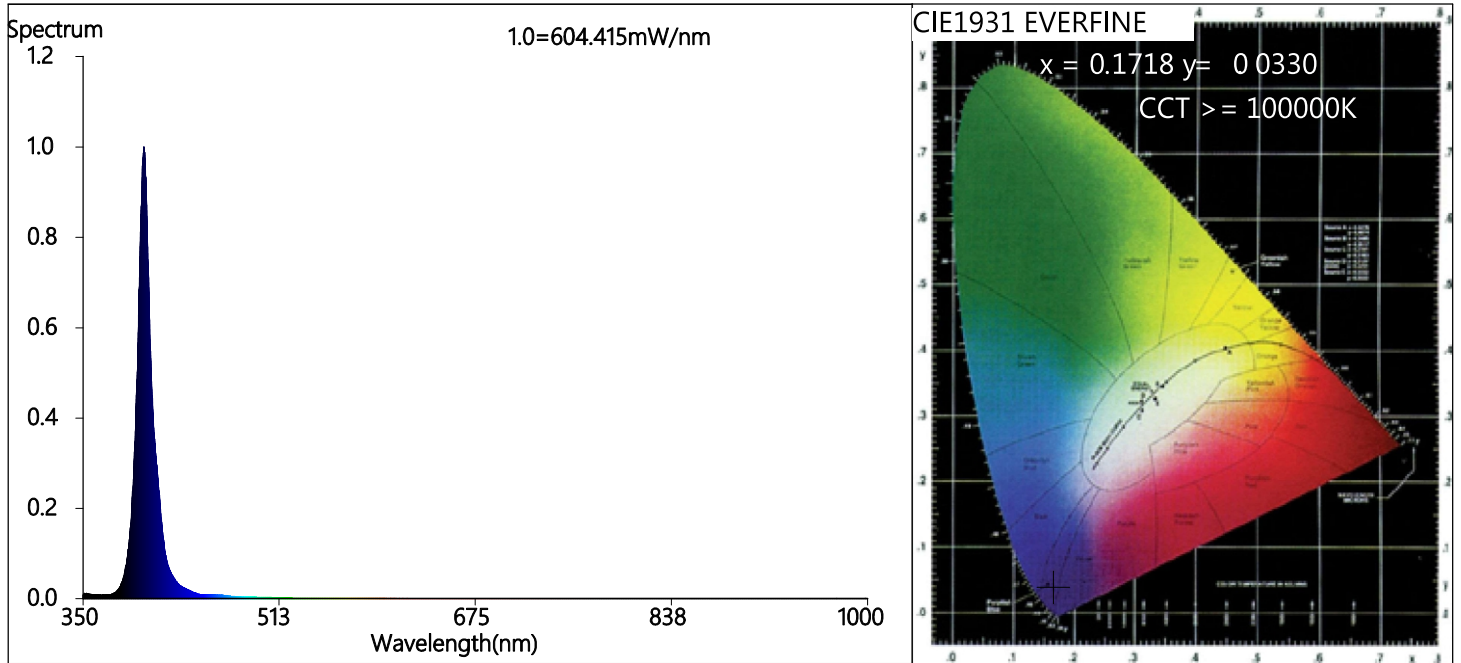
Photo Parameters:

Flux = 46.35 lm Eff. : 1.07 lm/W Fe = 8.261 W
 Photosynthetic:PPF:27.763umol/s PAR WATT:7928mW(400-700nm)

Electrical parameters:

V = 120.06 V I = 0.3794 A P = 43.20 W PF = 0.9484
 LEVEL:OUT WHITE:OUT

100W Spectrum Test Report



Color Parameters:

Chromaticity Coordinate: $x=0.1718$ $y=0.0330$ / $u'=0.2251$ $v'=0.0974$
 CCT=100000K(Duv=-0.2059) Dominant WL:Ld =444.6nm WL:Lc = --nm Purity=93.9%
 Ratio:R=5.7% G=56.6% B=37.7% Peak WL:Lp=400.4nm FWHM=11.8nm
 Render Index:Ra=13.6 AvgR=17.9 TM30:Rf=0 Rg=-58

Eff(PPF)=0.41453

R1 =47	R2 =20	R3 =0	R4 =0	R5 =42	R6 =0	R7 =0	
R8 =0	R9 =0	R10=0	R11=0	R12=0	R13=71	R14=5	R15=83

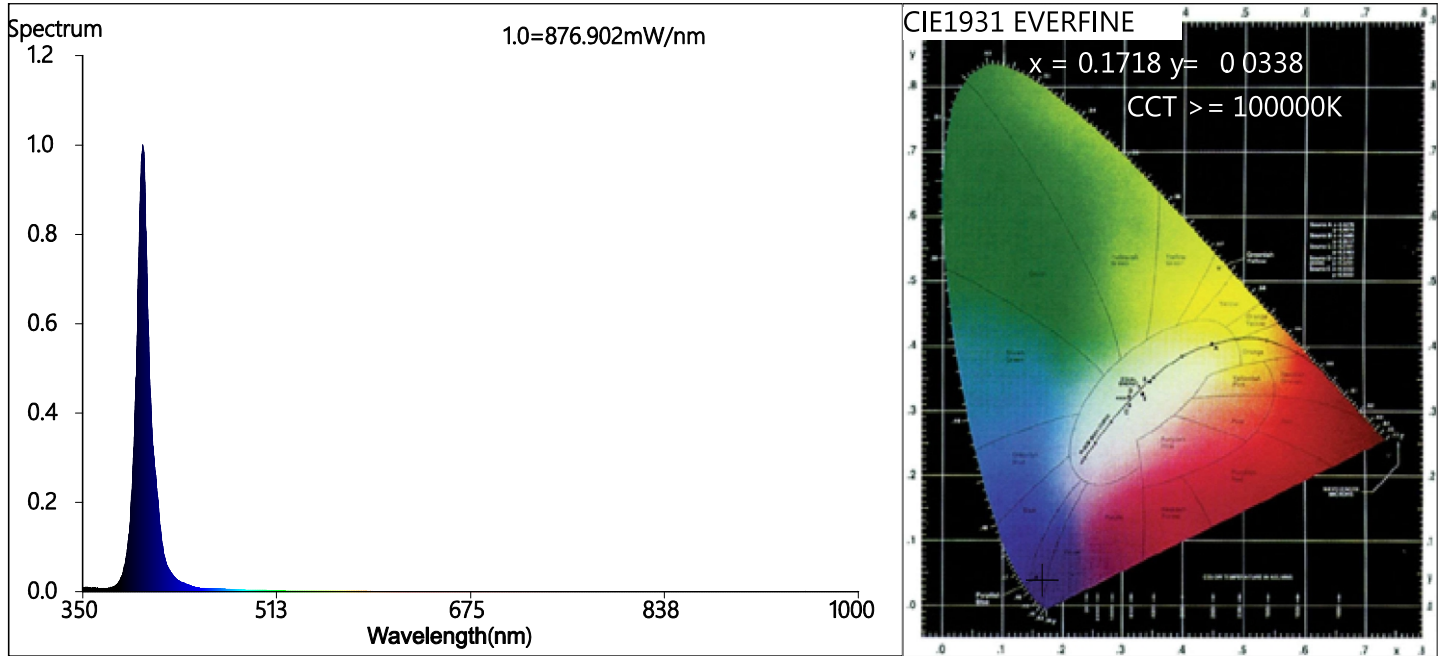
Photo Parameters:

Flux = 50.84 lm Eff. : 1.07 lm/W Fe = 9.805 W
 Photosynthetic:PPF:19.788umol/s PAR WATT:5753.3mW(400-700nm)

Electrical parameters:

V = 119.97 V I = 0.4220 A P = 47.73 W PF = 0.9429
 LEVEL:OUT WHITE:OUT

150W Spectrum Test Report



Color Parameters:

Chromaticity Coordinate: $x=0.1718$ $y=0.0338$ / $u'=0.2244$ $v'=0.0994$
 CCT=100000K(Duv=-0.2044) Dominant WL:Ld =445.1nm WL:Lc = --nm Purity=93.7%
 Ratio:R=5.4% G=57.6% B=37.0% Peak WL:Lp=400.4nm FWHM=10.9nm
 Render Index:Ra=13.7 AvgR=18.2 TM30:Rf=0 Rg=-59

Eff(PPF)=0.36920

R1 =44	R2 =25	R3 =0	R4 =0	R5 =41	R6 =0	R7 =0	
R8 =0	R9 =0	R10=0	R11=0	R12=0	R13=74	R14=7	R15=81

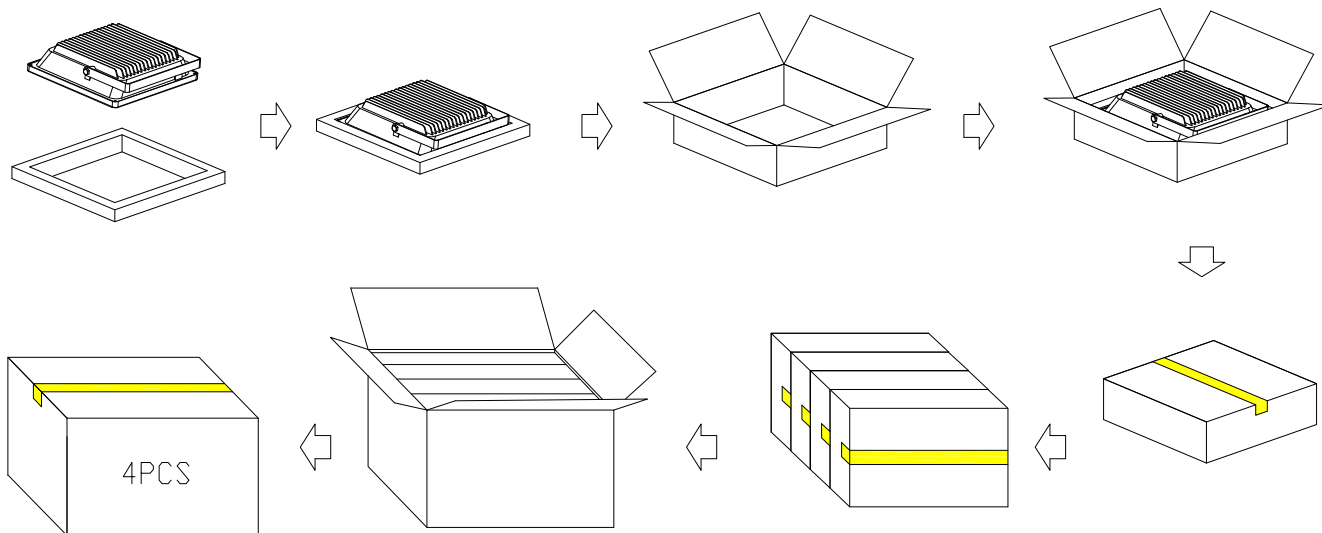
Photo Parameters:

Flux = 66.63 lm Eff. : 0.94 lm/W Fe = 13.28 W
 Photosynthetic:PPF:26.304umol/s PAR WATT:7658mW(400-700nm)

Electrical parameters:

V = 120.03 V I = 0.6289 A P = 71.25 W PF = 0.9439
 LEVEL:OUT WHITE:OUT

LED UV FLOOD LIGHT



	Qty/ctn	Material	N.W	Box Size	G.W
80W	1	K=K	1.8Kg	310X90X350mm	2.0Kg
	4	K=K	7.5Kg	385X325X370mm	9.0Kg

	Qty/ctn	Material	N.W	Box Size	G.W
100W	1	K=K	1.96Kg	310X90X350mm	2.3Kg
	4	K=K	8.0Kg	385X325X370mm	10.5Kg

	Qty/ctn	Material	N.W	Box Size	G.W
150W	1	K=K	3.15Kg	315X115X350mm	3.5Kg
	4	K=K	13.5Kg	495X335X370mm	15.0Kg

Packaging accessories:

Fluorescent tape x6	Power line x1 (10ft)	Instruction x1