



LED TEMPORARY WORK LIGHT

Outstanding lighting quality
 Convenient & professional
 No fan Passive cooling solution
 360 degree Beam Angle lighting
 Link up to 7 units (Max 600 Watts)
 Energy saving, long lifespan

Features

80-100-125-150W available
 140-150LM/W SMD2835 Chips
 100-277VAC 50~60Hz

ETL Approved
 Operating temperature: -40~50 C
 long lifespan 50000 H
 360 degree Beam Angle
 6KV high voltage surge protection
 Color temperature: 4000K 5000k 5700K

Efficient heat dissipation
 Plug-n-Play design
 IR control function available (Customized)
 Suitable for dry and damp locations
 Hollow heatsink increase air flow
 No magnetic disturbance driver design
 5 years warranty

Applications

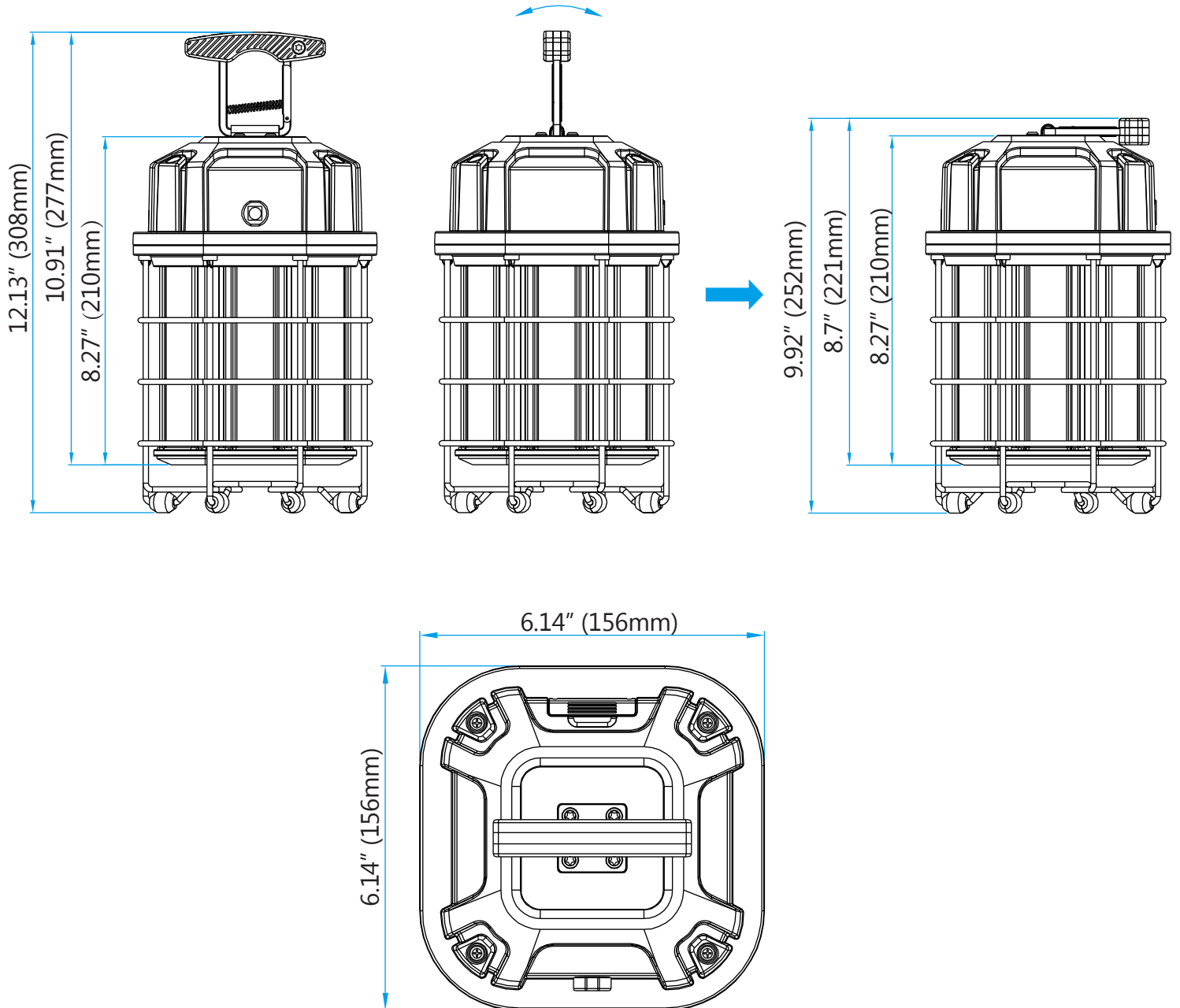
LED Temporary Work Light series can be widely used in warehouses, wharf, factories and workshops, highway toll stations, gas stations, mine, etc.



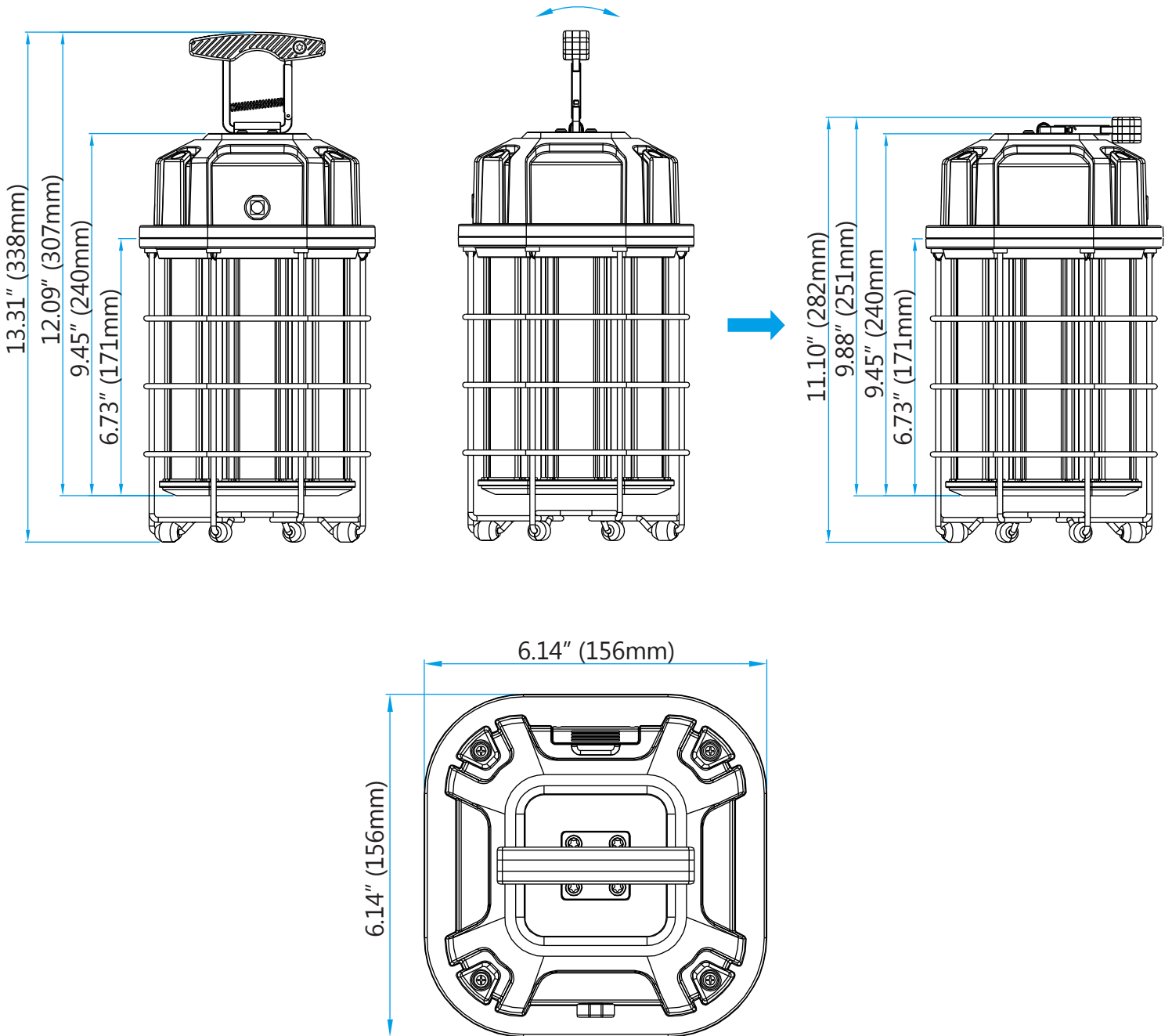
Series	Lumens	Base	Beam Angle (Degree)	Electrical Data	LED Type	Color temperature	Color rendering index
TWX-80W	11360LM	3 pin wires	360 degree	Input Voltage 100-277V 50~60Hz Power Factor(%) >90	SMD2835 chips	WW 2800~3000 K NW 4000~4500 K DW 5000~5500 K CW 6000~6500 K	80 80 CRI
TWX-100W	14100LM	3 pin wires					
TWX-125W	17875LM	3 pin wires					
TWX-150W	21150LM	3 pin wires					

Where "X" can be Y or G, where Y represents color is Yellow, G represents color is Gray.

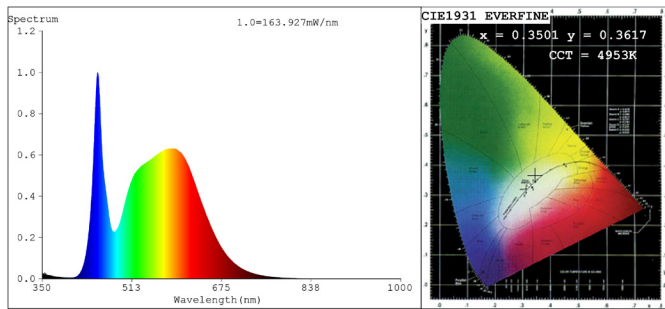
80W, 100W



125W, 150W



80W



Color Parameters:

Chromaticity Coordinate: $x=0.3501$ $y=0.3617/u'=0.2109$ $v'=0.4902$
 CCT=4953K (Duv=0.0030) Dominant WL:Ld =571.8nm WL:Lc = --nm Purity=13.6%
 Ratio:R=15.9% G=79.9% B=4.2% Peak WL:Lp=450.5nm FWHM=20.8nm
 Render Index:Ra=82.3 AvgR=74.8 TM30:Rf=83 Rg=95

R1 =80 R2 =87 R3 =93 R4 =82 R5 =80 R6 =82 R7 =88
 R8 =67 R9 =5 R10=70 R11=80 R12=56 R13=82 R14=96 R15=74

Photo Parameters:

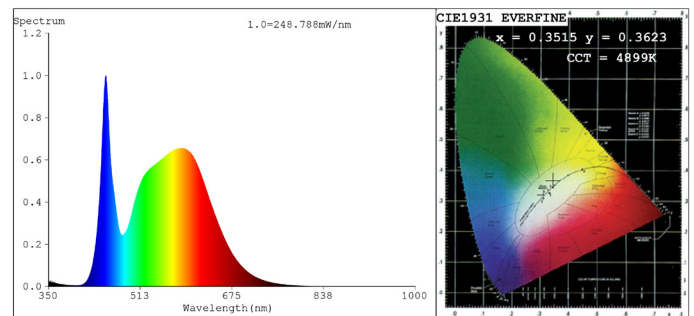
Flux=10620.7 lm Eff.:140.3 lm/W Fe = 20.11 W

Electrical parameters:

V = 120.08 V I = 0.6346 A P = 75.70 W PF = 0.9934
 LEVEL:OUT WHITE:ANSI_5000K

Status: Integral T = 82 ms Ip = 35064 (54%)

100W



Color Parameters:

Chromaticity Coordinate: $x=0.3515$ $y=0.3623/u'=0.2116$ $v'=0.4907$
 CCT=4899K (Duv=0.0028) Dominant WL:Ld =572.5nm WL:Lc = --nm Purity=14.2%
 Ratio:R=16.0% G=79.7% B=4.3% Peak WL:Lp=451.8nm FWHM=21.9nm
 Render Index:Ra=82.5 AvgR=75.1 TM30:Rf=83 Rg=95

R1 =80 R2 =88 R3 =93 R4 =81 R5 =80 R6 =83 R7 =88
 R8 =66 R9 =6 R10=71 R11=80 R12=56 R13=82 R14=96 R15=75

Photo Parameters:

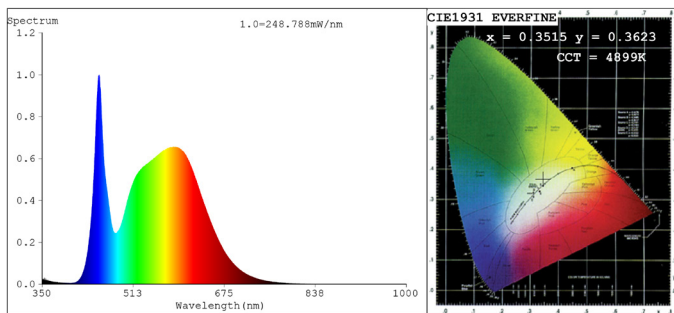
Flux = 16367.6 lm Eff. : 141.1 lm/W Fe = 31.57 W

Electrical parameters:

V = 119.94 V I = 0.9701 A P = 116.0 W PF = 0.9969
 LEVEL:OUT WHITE:ANSI_5000K

Status: Integral T = 82 ms Ip = 53755 (82%)

125W



Color Parameters:

Chromaticity Coordinate: $x=0.3515$ $y=0.3623/u'=0.2116$ $v'=0.4907$
 CCT=4899K (Duv=0.0028) Dominant WL:Ld =572.5nm WL:Lc = --nm Purity=14.2%
 Ratio:R=16.0% G=79.7% B=4.3% Peak WL:Lp=451.8nm FWHM=21.9nm
 Render Index:Ra=82.5 AvgR=75.1 TM30:Rf=83 Rg=95

R1 =80 R2 =88 R3 =93 R4 =81 R5 =80 R6 =83 R7 =88
 R8 =66 R9 =6 R10=71 R11=80 R12=56 R13=82 R14=96 R15=75

Photo Parameters:

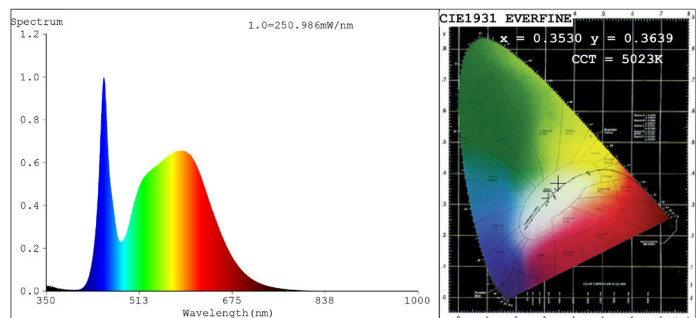
Flux = 16367.6 lm Eff. : 141.1 lm/W Fe = 31.57 W

Electrical parameters:

V = 119.94 V I = 0.9701 A P = 116.0 W PF = 0.9969
 LEVEL:OUT WHITE:ANSI_5000K

Status: Integral T = 82 ms Ip = 53755 (82%)

150W



Color Parameters:

Chromaticity Coordinate: $x=0.3530$ $y=0.3639/u'=0.2120$ $v'=0.4917$
 CCT=5023K (Duv=0.0030) Dominant WL:Ld =572.8nm WL:Lc = --nm Purity=15.1%
 Ratio:R=16.1% G=79.8% B=4.1% Peak WL:Lp=450.5nm FWHM=21.1nm
 Render Index:Ra=82.2 AvgR=74.7 TM30:Rf=83 Rg=95

R1 =80 R2 =87 R3 =93 R4 =82 R5 =80 R6 =82 R7 =88
 R8 =66 R9 =5 R10=70 R11=80 R12=56 R13=82 R14=96 R15=74

Photo Parameters:

Flux = 19332.2 lm Eff. : 140.7 lm/W Fe = 31.66 W

Electrical parameters:

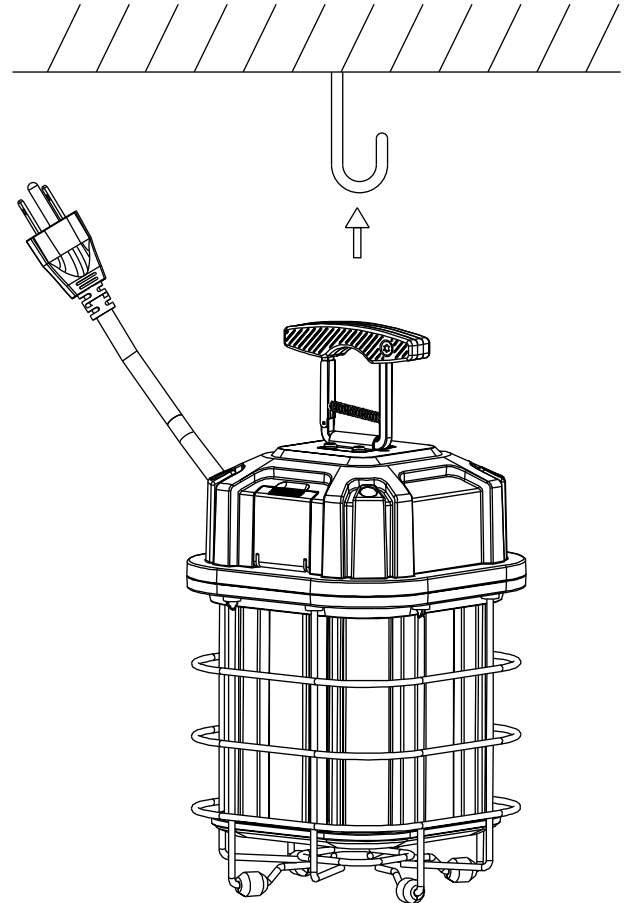
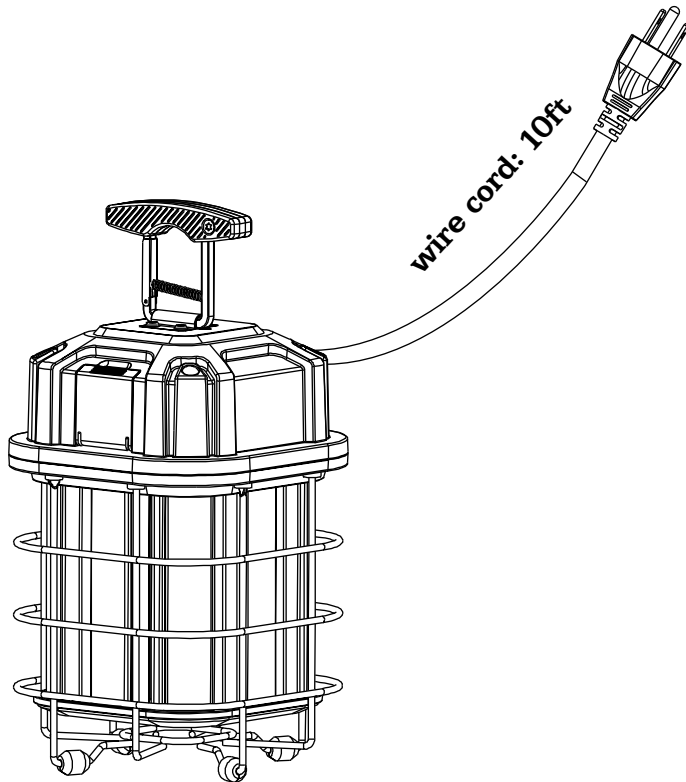
V = 119.89 V I = 1.156 A P = 137.4 W PF = 0.9917
 LEVEL:OUT WHITE:ANSI_5000K

Status: Integral T = 52 ms Ip = 33996 (52%)

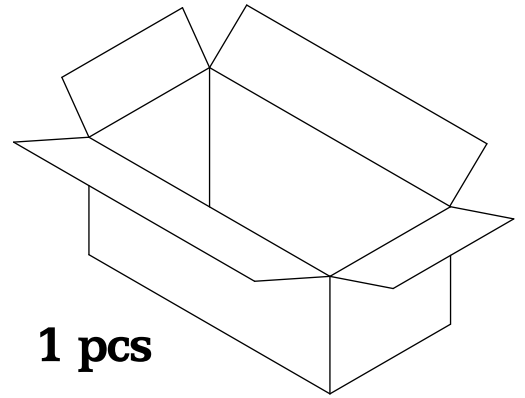
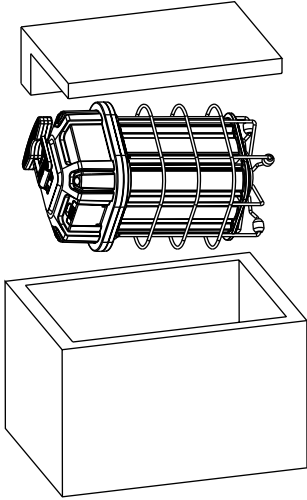
INSTALLATION INSTRUCTIONS

1. Take the LED Temporary Work Light with hook from the package.

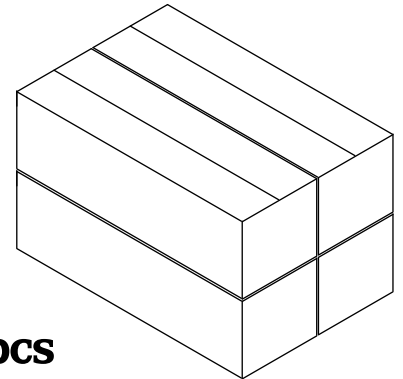
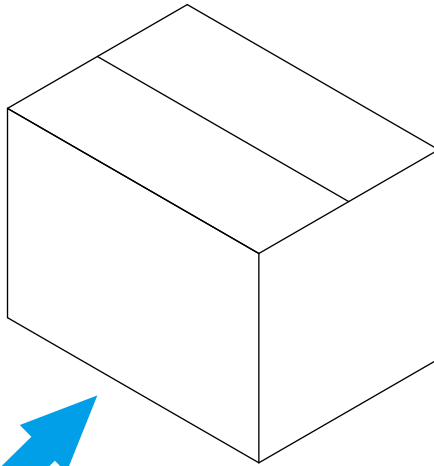
2. Install lamp hooks on reliable hooks or walls.



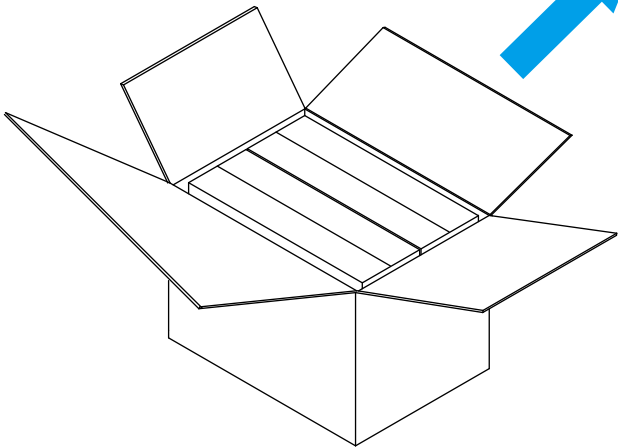
PACKAGE



1 pcs



4 pcs



Series	Unit	Size	Gross weight
NG-TWX-80W NG-TWX-100W	1Pcs	32.5*24.5*20.5 CM	2.7 KG
	4Pcs	51.0*34.5*43.5 CM	12.3 KG
NG-TWL-125W NG-TWL-150W	1Pcs	32.5*24.5*20.5 CM	3.2 KG
	4Pcs	51.0*34.5*43.5 CM	13.5 KG

APPLICATIONS

